

Pressure transmitter, model S-20

EN

Druckmessumformer, Typ S-20

DE

Transmetteur de pression, type S-20

FR

Transmisor de presión, modelo S-20

ES



S-20



EN	Operating instructions Pressure transmitter, model S-20	Page	3 - 30
DE	Betriebsanleitung Druckmessumformer, Typ S-20	Seite	31 - 57
FR	Mode d'emploi Transmetteur de pression, type S-20	Page	59 - 86
ES	Manual de instrucciones Transmisor de presión, modelo S-20	Página	87 - 113
Further languages can be found at www.wika.com			

© 04/2013 WIKA Alexander Wiegand SE & Co. KG

All rights reserved.

WIKA® is a registered trademark in various countries.

Prior to starting any work, read the operating instructions.

Keep for later use.

Table of contents

1. General information	4
2. Safety	5
3. Transport, packaging and storage	9
4. Design	10
5. Commissioning and operation	11
6. Faults	15
7. Maintenance and cleaning	16
8. Dismounting, return and disposal	17
9. Specifications	19

For declarations of conformity, see www.wika.de

EN

1. General information

1. General information

- The instrument described in the operating instructions has been designed and manufactured using state-of-the-art technology. All components are subject to stringent quality and environmental criteria during production. Our management systems are certified in accordance with ISO 9001 and ISO 14001.
- These operating instructions contain important information on handling the instrument. Working safely requires that all safety notes and work instructions are observed.
- Impermissible modifications to the product lead to the loss of the warranty and the loss of services.
- Observe the relevant local accident prevention regulations and general safety regulations for the instrument's range of use.
- The operating instructions are part of the product and must be kept in the immediate vicinity of the instrument and readily accessible to skilled personnel at any time. Pass the operating instructions on to the next operator or owner of the instrument.
- Skilled personnel must have carefully read and understood the operating instructions prior to beginning any work.
- In this document, the generic masculine is used for better readability. Female and other gender identities are explicitly included.
- If available, the provided supplier documentation is also considered to be part of the product in addition to these operating instructions.
- The general terms and conditions contained in the sales documentation shall apply.
- Subject to technical modifications.
- Further information:

Internet address:	www.wika.de / www.wika.com
Relevant data sheet:	PE 81.61
Technical information:	IN 00.14, IN 00.50, IN 00.40
Contact:	Tel: +49 9372 132-0 info@wika.de

2. Safety

1.1 Explanation of symbols



WARNING

... indicates a potentially dangerous situation that can result in serious injury or death, if not avoided.



CAUTION

... .. indicates a potentially dangerous situation that can result in light injuries or damage to property or the environment, if not avoided.



NOTE

... indicates a potentially dangerous situation that can result in damage to property or the environment, if not avoided.



INFORMATION

... points out useful tips, recommendations and information for efficient and trouble-free operation.

2. Safety

2.1 Intended use

The model S-20 is a pressure transmitter (hereinafter referred to as instrument) that is used for pressure measurement in demanding industrial applications.

The instrument has been developed for pressure measurement of fluids in fluid group 2 (non-hazardous) in accordance with directive 2014/68/EU article 13 and regulation (EC) no. 1272/2008.

Versions for oxygen gas supply and distribution stations have been developed as "oxygen-, oil- and grease-free" options for pressure measurement of fluids in fluid group 1 (hazardous) in accordance with directive 2014/68/EU article 13 and regulation (EC) no. 1272/2008.

Versions suitable for hydrogen have been developed for pressure measurement of fluids in fluid group 1 (hazardous) in accordance with directive 2014/68/EU article 13 and regulation (EC) no. 1272/2008.

2. Safety

Versions for pressure measurement of fluids in fluid group 1 (hazardous) in accordance with directive 2014/68/EU article 13 and regulation (EC) no. 1272/2008 have been encoded with the enhanced leak-tightness requirement "leakage rate 1×10^{-6} mbar \cdot l/s", see order confirmation or delivery note.

The instrument may only be used in such applications as are within its technical performance limits, in particular with regard to its material resistance, leakage rate limits and permissible temperature and pressure limits.

It is the sole responsibility of the manufacturer or operator of a machine or plant to ensure the suitability of the instrument, and its media resistance, within the application through proper choice of materials and maintenance cycles.

It is the sole responsibility of the manufacturer or operator of a machine or plant to ensure a safe and leak-tight pressure connection.

- For performance limits, see chapter ▶ 9 [Specifications](#).
- For performance limits of process connections, see IN 00.14.
- For performance limits of electrical connections, see IN 00.50.
- For performance limits for hydrogen, see IN 00.40.

The mounting, dismounting, installation, parameterisation and maintenance of the instrument in industrial environments absolutely requires suitably skilled personnel in accordance with chapter ▶ 2.4 [Personnel qualification](#).

The instrument meets the EMC Directive in accordance with EN 61326 for emissions (group 1, class B) and immunity (industrial environment).

The instrument has been designed and engineered solely for the intended use described here and may only be used accordingly.

The manufacturer shall not be liable for claims of any type based on operation contrary to the intended use.

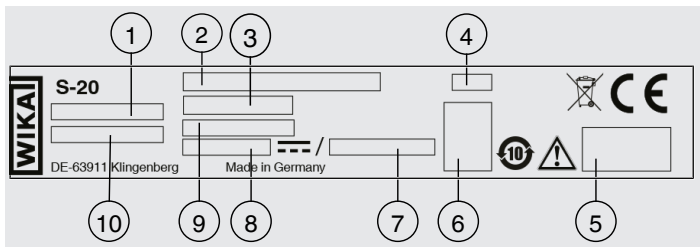
2.2 Improper use

- Any use beyond or different to the intended use is considered as improper use.
- Refrain from unauthorised modifications to the instrument.
- Do not use in hazardous areas.
- Do not use in safety or emergency shutdown devices.
- Do not use in processes with high condensation.
- Do not use in rail vehicles.
- Do not use with abrasive and viscous media.

2. Safety

- Do not use with chemically and physically unstable media.
- Do not use with medical devices.
- Do not use in refrigeration technology.

2.3 Labelling, safety marking



- | | | | |
|---|---------------------------|----|---------------------------|
| 1 | Item number | 6 | Pin assignment |
| 2 | Additional text | 7 | Current supply |
| 3 | Measuring range | 8 | Auxiliary power |
| 4 | Coded date of manufacture | 9 | Output signal |
| 5 | Approvals | 10 | Intelligent serial number |

Symbols



Before mounting and commissioning the instrument, ensure you read the operating instructions.

2. Safety



DC voltage



Do not dispose of with household waste. Ensure proper disposal in accordance with national regulations.

2.4 Personnel qualification



INFORMATION

The activities described in these operating instructions may only be carried out by skilled personnel who have the qualifications described below.

Skilled personnel

Skilled personnel, authorised by the operator, are understood to be personnel who, based on their technical training, knowledge of measurement and control technology and on their experience and knowledge of country-specific regulations, current standards and directives, are capable of carrying out the work described and independently recognising potential hazards.

3. Transport, packaging and storage

3. Transport, packaging and storage

3.1 Transport



NOTE

Damage due to improper transport

With improper transport, damage to property can occur.

- ▶ When unloading packed goods upon delivery as well as during internal transport, proceed carefully and observe the symbols on the packaging.
- ▶ With internal transport, observe the instructions in chapter ▶ 3.2 [Packaging and storage](#).

Check the instrument for any damage that may have been caused.

In the event of any damage, do not commission the instrument and contact the manufacturer immediately.

3.2 Packaging and storage

Permissible conditions at the place of storage:

- Storage temperature: -40 ... +70 °C [-40 ... +158 °F]

4. Design

4. Design

4.1 Overview

EN



- 1 Electrical connection
- 2 Cap ring without zero point adjustment ring (depending on version)
- 3 Case, product label
- 4 Spanner flat
- 5 Thread

4.2 Scope of delivery

- Instrument
- Operating instructions
- Ordered certificates

5. Commissioning and operation

- Test report
- Ordered accessories

Cross-check scope of delivery with delivery note.

EN

5. Commissioning and operation



CAUTION

Damage to property due to exceeding the performance limits

Exceeding the performance limits can destroy the instrument and lead to danger in the end-use application.

- ▶ Any permanent operation in the overload range is not permissible.
- ▶ Do not exceed the overpressure limit at any time.

When using hazardous fluids, liquids and gases



WARNING

Hazardous atmosphere due to escaping media

Escaping media can result in the formation of a flammable or explosive atmosphere.

A potentially explosive atmosphere can lead to physical injuries or damage to property.

- ▶ Ensure that only seals suitable for use with hydrogen are used.
- ▶ Observe all application-specific rules and regulations applicable to installation and operation in the end-use application.

5.1 Mechanical mounting

It is the sole responsibility of the manufacturer or operator of a machine or plant to ensure a safe and leak-tight pressure connection.

5. Commissioning and operation

- Only use the instrument if it is in perfect condition with respect to safety.
- Prior to commissioning, subject the instrument to a visual inspection.
- Leaking liquid is indicative of damage.
- Report obvious damage immediately.
- During installation, ensure that the diaphragm is not damaged.

→ For information on process connections, see technical information IN 00.14.

When screwing in the instrument, the force required to do this must not be applied through the case or the cap ring, but only through the spanner flats provided for this purpose and using a suitable tool, see ▶ 4.1 [Overview](#). If the instrument is mounted upside down, it must be ensured that no water can collect on the electrical connection and on the cap ring. Water can block the pressure compensating diaphragm.

5.2 Electrical mounting

Voltage supply

- For auxiliary power, see product label
- For further details on electrical mounting, see IN 00.50

This instrument is intended for operation with low voltages, which are separated from the AC 230 V (50 Hz) mains voltage or voltages greater than AC 50 V or DC 120 V for dry environments. A connection to an SELV circuit is recommended, or alternatively to circuits with a different protective measure in accordance with the IEC 60364-4-41 installation standard.

For instruments with North American certification per UL/CSA IEC 61010-1:

The supply for the instrument must be made via a limited-energy circuit in accordance with section 9.4 of UL/IEC/EN 61010-1 or an LPS per UL/IEC/EN 62368-1 or class 2 in accordance with UL1310/UL1585 (NEC or CEC). The voltage supply must be suitable for operation above 2,000 m should the instrument be used at this altitude.

Shielding and grounding

Ground the instrument via the process connection.

Pin assignment

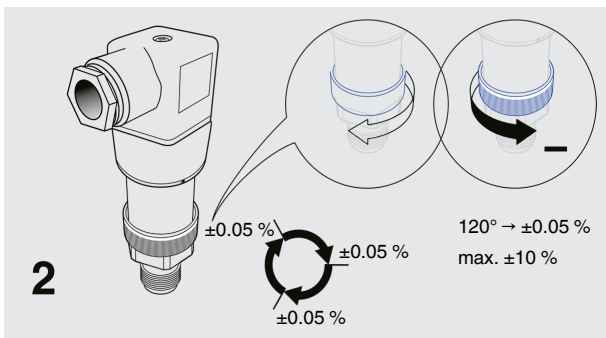
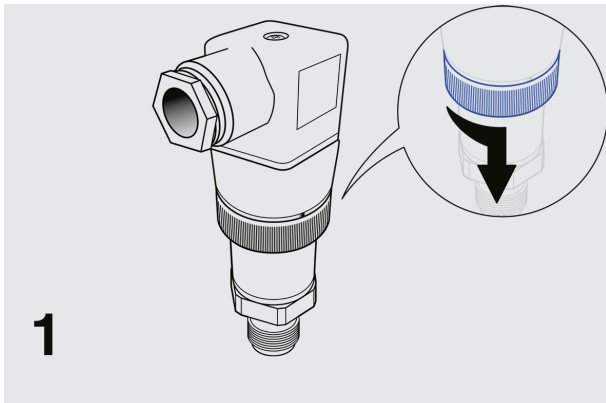
- For pin assignments, see product label

5.3 Zero point setting

With versions with zero point adjustment ring, the zero point can be adjusted during operation.

5. Commissioning and operation

EN

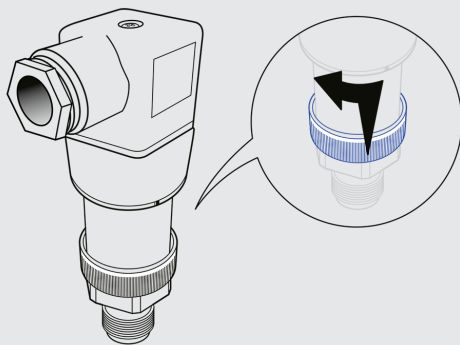


14043170.09 04/2026 EN/DE/FR/ES PUBLIC

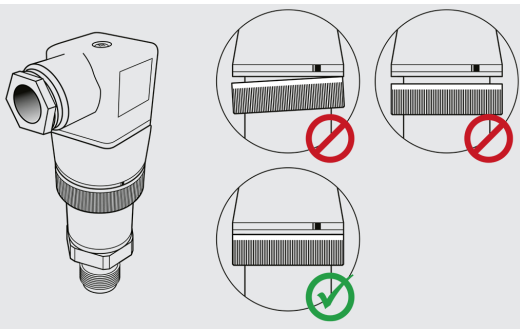
5. Commissioning and operation

EN

3



4



6. Faults

EN

6. Faults



INFORMATION

If faults cannot be eliminated by means of the listed measures, take the instrument out of operation immediately.

- ▶ Contact the manufacturer
- ▶ If a return is needed, please follow the instructions given in chapter ▶ 8.2 [Return](#).



INFORMATION

For contact details, see chapter ▶ 1 [General information](#) or the back page of the operating instructions.



INFORMATION

No action needs to be taken if plastic parts (e.g. electrical connection) become discoloured. Discolouration is harmless.

In the event of any faults, first check whether the instrument is mounted correctly, mechanically and electrically.

Faults	Causes	Measure
No output signal	Cable break	Check the continuity
No output signal	No/Wrong auxiliary power	Correct the auxiliary power
No/Incorrect zero point signal	Wiring error	Rectify the wiring
Signal span drops / too small	Mechanical overload caused by overpressure	Replace the instrument; if it fails repeatedly, contact the manufacturer
Signal span drops / too small	Seal / Sealing face damaged or soiled, seal does not have a tight fit, threads jammed	Clean the seal / sealing face, replace the seal if applicable

7. Maintenance and cleaning

Faults	Causes	Measure
Signal span drops / too small or varies/inaccurate	EMC interference sources in the environment, e.g. frequency converter	Shield instrument; cable shield; remove source of interference
Signal span varies / inaccurate	Working temperature too high/low	Lower/increase the temperature
Signal span varies / inaccurate	Instrument not grounded	Ground the instrument
Signal span varies / inaccurate	Strongly fluctuating pressure of the medium	Damping, contact the manufacturer
Deviating zero point signal	Working temperature too high/low	Observe the permissible temperatures
Deviating zero point signal	Overpressure limit exceeded	Observe the permissible overpressure limit
Constant output signal upon change in pressure	Mechanical overload caused by overpressure	Replace the instrument; if it fails repeatedly, contact the manufacturer

7. Maintenance and cleaning

7.1 Maintenance

This instrument is maintenance-free.

Repairs must only be carried out by the manufacturer.

7.2 Cleaning

Only use commercially available and solvent-free cleaning agents.

8. Dismounting, return and disposal

8. Dismounting, return and disposal



WARNING

Physical injuries due to hazardous media

Upon contact with hazardous media (e.g. oxygen, acetylene) and harmful media (e.g. corrosive, flammable, toxic, carcinogenic, radioactive), there is a danger of physical injuries.

Should a failure occur, hazardous media under high pressure or vacuum may be present at the instrument.

- ▶ For these media, in addition to all standard regulations, the appropriate existing codes or regulations must also be followed.

When using hazardous fluids, liquids and gases



WARNING

Hazardous atmosphere due to escaping media

Escaping media can result in the formation of a flammable or explosive atmosphere.

A potentially explosive atmosphere can lead to physical injuries or damage to property.

- ▶ Ensure that only seals suitable for use with hydrogen are used.
- ▶ Observe all application-specific rules and regulations applicable to installation and operation in the end-use application.

8.1 Dismounting

Only dismantle the instrument when it has been depressurised and deenergised.

8.2 Return

Strictly observe the following when shipping the instrument:

- All instruments delivered to WIKA must be free from any kind of hazardous substances (acids, bases, solutions, etc.) and must therefore be cleaned before being returned, see chapter ▶ 7.2 [Cleaning](#).
- When returning the instrument, use the original packaging or a suitable transport packaging.

8. Dismounting, return and disposal



INFORMATION

Information on returns can be found under the heading “Service” on our local website (return application).

9. Specifications

8.3 Disposal

Incorrect disposal can put the environment at risk. Dispose of instrument components and packaging materials in an environmentally compatible way and in accordance with the country-specific waste disposal regulations.

Disposal of electrical equipment



This instrument is labelled in accordance with the EU Waste Electrical and Electronic Equipment (WEEE) directive. This instrument must not be disposed of with household waste.

- Hand in old instruments for environmentally friendly disposal at a designated collection point for the disposal of electrical and electronic equipment.
- Ensure proper disposal in accordance with national regulations and observe the currently applicable regulations.

EN

9. Specifications

9.1 Specifications

Depending on the selected instrument version (e.g. seals) the specification may deviate from the specifications listed here. The specifications in the order documentation are definitive.

For versions designed for special media, see table ▶ 9.2 [Options for specific media](#).

Specifications

Measuring range	→ See product label	
Maximum working pressure	→ Corresponds to the upper measuring range value / end value of the measuring range → Any permanent operation above the maximum working pressure is not permissible.	
Overpressure limit	The overpressure limit is based on the measuring range. Depending on the selected process connection and the seal, restrictions in overpressure limit can result. A higher overpressure limit will result in a higher temperature error. → For the overpressure limit per process connection, see IN 00.14.	
bar	Measuring ranges ≤ 16 bar	3 times

14043170.09 04/2026 EN/DE/FR/ES PUBLIC

9. Specifications

Specifications

EN

bar	Measuring ranges > 16 bar	2 times
	Measuring range 1,000 bar	1.45 times
	Measuring ranges > 1,000 bar	1.25 times
bar abs.	Measuring ranges \leq 16 bar abs.	3 times
	Measuring ranges > 16 bar abs.	2 times
	Measuring range 40 bar abs.	1.5 times
psi	Measuring ranges \leq 300 psi	3 times
	Measuring ranges > 300 psi	2 times
	Measuring ranges 600 psi, 1,000 psi, 1,500 psi, 4,000 psi, 6,000 psi, 10,000 psi	1.7 times
	Measuring range 15,000 psi	1.45 times
	Measuring ranges > 15,000 psi	1.25 times
psi abs.	Measuring ranges \leq 300 psi abs.	3 times
	Measuring ranges > 300 psi abs.	2 times
	Measuring range 500 psi abs.	1.5 times
	→ Further overpressure limits on request	
Max. measured error per IEC 61298-2		
Non-linearity $\leq \pm 0.5$ % of span	$\leq \pm 1$ % of span	
Non-linearity $\leq \pm 0.25$ % of span	$\leq \pm 0.5$ % of span	
Non-linearity $\leq \pm 0.125$ % of span	$\leq \pm 0.25$ % of span	

9. Specifications

Specifications

Leakage rate	<ul style="list-style-type: none"> ■ $< 5 \cdot 10^{-3}$ mbar\cdotl/s ■ $< 1 \cdot 10^{-6}$ mbar\cdotl/s ^{1) 2)} 	
Output signal	→ See product label	
Auxiliary power	→ See product label	
Current supply	→ See product label	
Pin assignment	→ See product label	
Short-circuit resistance	S+ vs. U- → Not for ratiometric output signals	
Reverse polarity protection	U+ vs. U- → Not for ratiometric output signals	
Material (wetted)		
Sensor and process connection	Measuring ranges ≤ 25 bar [≤ 300 psi]	Stainless steel 316L
	Measuring ranges > 25 bar [> 300 psi]	Stainless steel 316L + PH grade steel
	Measuring ranges $> 1,000$ bar [$> 15,000$ psi]	ASTM 630 + PH grade steel
	Absolute pressure measuring ranges	Stainless steel 316L
	→ Seals for each process connection, see data sheet or IN 00.14 information on process connections.	
Storage temperature limit	-40 ... +70 °C [-40 ... +158 °F]	
Humidity per EN 60068-2-30	0 ... 95 % relative humidity (non-condensing)	
Humidity per CSA certificate	0 ... 80 % relative humidity (non-condensing)	
Operating altitude	$\leq 2,000$ m above sea level	

1) With oxygen and hydrogen applications.

2) With applications of hazardous fluids, liquids and gases in accordance with directive 2014/68/EU article 13, regulation (EC) no. 1272/2008 or GHS.

9. Specifications

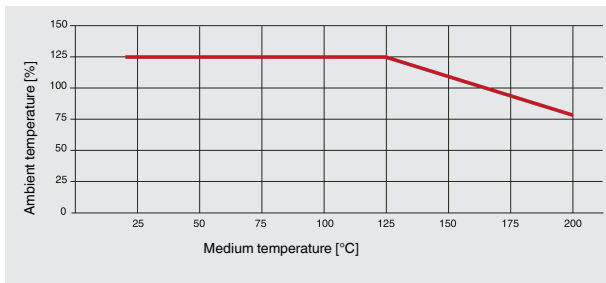
Specifications

Pollution degree	2
Overvoltage category	I
Ingress protection (IP code) per IEC 60529	→ See IN 00.50 electrical connections
Service life	
Measuring ranges < 600 bar [< 7,500 psi]	100 million load cycles
Measuring ranges ≥ 600 bar [≥ 7,500 psi]	10 million load cycles

Medium temperature limit	Ambient temperature limit	Notes
-30 ... +100 °C [-22 ... +212 °F]	-30 ... +100 °C [-22 ... +212 °F]	-
-40 ... +125 °C [-40 ... +257 °F]	-40 ... +125 °C [-40 ... +257 °F]	► 9.2 Hydrogen version
-40 ... +150 °C [-40 ... +302 °F]	-40 ... +125 °C [-40 ... +257 °F] → See derating curve	400 bar [5,000 psi] With integrated cooling element
-40 ... +200 °C [-40 ... +392 °F]	-40 ... +125 °C [-40 ... +257 °F] → See derating curve	400 bar [5,000 psi] With integrated cooling element
-20 ... +60 °C [-4 ... +140 °F]	-20 ... +60 °C [-4 ... +140 °F]	► 9.2 Oxygen version

9. Specifications

Derating curve for cooling elements



EN

Maximum permissible ambient temperature (T_{amb})

$$T_{amb} (T_{med} < 125 \text{ }^\circ\text{C}) = 125 \text{ }^\circ\text{C}$$

$$T_{amb} (T_{med} \geq 125 \text{ }^\circ\text{C}) = -0.62 \times T_{med} + 202 \text{ }^\circ\text{C}$$

Maximum permissible medium temperature (T_{med})

$$T_{med} (T_{amb} < 80 \text{ }^\circ\text{C}) = 200 \text{ }^\circ\text{C}$$

$$T_{med} (T_{amb} \geq 80 \text{ }^\circ\text{C}) = -1.61 \times T_{amb} + 326 \text{ }^\circ\text{C}$$

Depending on the choice of seal on the process connection and the electrical connection, there may be restrictions in the medium and ambient temperature.

→ For further specifications, see WIKA data sheet PE 81.61 or IN 00.14, IN 00.40 and IN 00.50 and the order documentation.

9.2 Options for specific media

Options for specific media

Food	Food-compatible pressure transmission medium
-------------	--

Oil- and grease-free

Residual hydrocarbon	< 1,000 mg/m ²
----------------------	---------------------------

Packaging	Protective cap on the process connection
-----------	--

Oxygen, oil- and grease-free

14043170.09 04/2026 EN/DE/FR/ES PUBLIC

9. Specifications

Options for specific media

EN

Residual hydrocarbon	Measuring ranges < 30 bar [< 435 psi]	< 500 mg/m ²
	Measuring ranges > 30 bar [< 435 psi]	< 200 mg/m ²
Medium temperature limit	-20 ... +60 °C [-4 ... +140 °F]	
Max. measuring range	400 bar [5,000 psi]	
Overpressure limit	2 times	
Leakage rate	< 1*10 ⁻⁶ mbar ³ /s	
Pressure transmission medium	≤ 25 bar [≤ 300 psi]	Inert pressure transmission medium
Influence of mounting position (measuring ranges ≤ 1 bar)	Mounting position 180°, vertical, top process connection	≤ 1.4 mbar [≤ 0.02 psi]
	Mounting position 90°, horizontal, lateral process connection	≤ 0.8 mbar [≤ 0.012 psi]
Packaging	Protective cap on the process connection	

Hydrogen, oil- and grease-free

Measuring ranges	0.4 ... 1,000 bar [10 ... 15,000 psi]	
Material (wetted)	316L and Elgiloy® (2.4711)	
Residual hydrocarbon	< 1,000 mg/m ²	
Leakage rate	< 1*10 ⁻⁶ mbar ³ /s	
Medium temperature limit	-40 ... +125 °C [-40 ... +257 °F]	
	→ For further information, see technical information IN 00.40 on the website.	

Water (increased stability)

Measuring ranges	10 ... 25 bar [150 ... 300 psi]	
------------------	---------------------------------	--

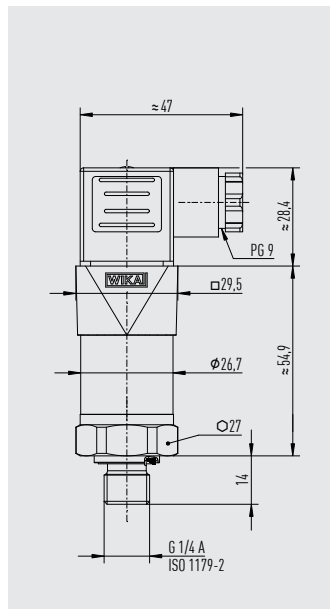
Dry measuring cell

Measuring ranges	10 ... 25 bar [150 ... 300 psi]	
Overpressure limit	2 times	

9. Specifications

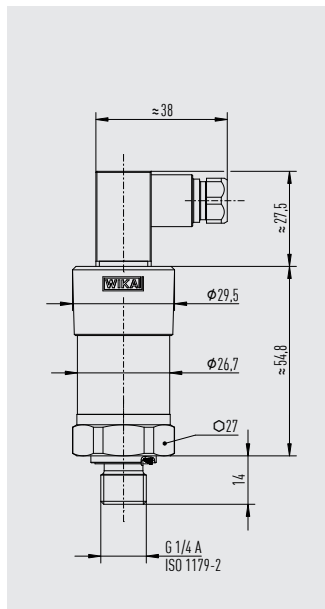
9.3 Dimensions in mm

Angular connector DIN EN 175301-803 A



Weight: approx. 150 g [0.331 lb]

Angular connector DIN EN 175301-803 C



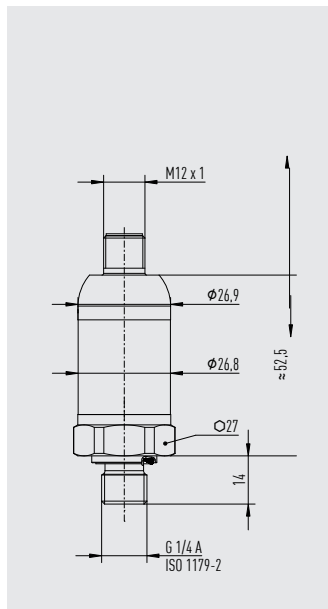
Weight: approx. 150 g [0.331 lb]

EN

14043170.09 04/2026 EN/DE/FR/ES PUBLIC

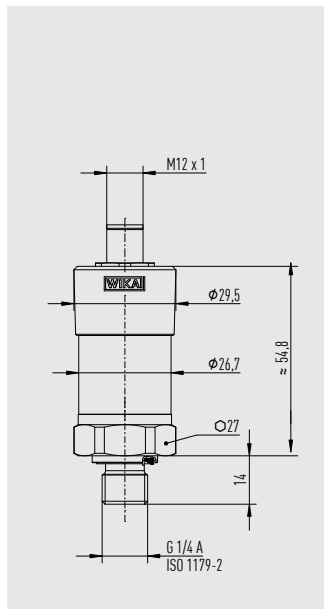
9. Specifications

Circular connector M12 x 1 (4-pin, metal)



Weight: approx. 150 g [0.331 lb]

Circular connector M12 x 1 (4-pin)

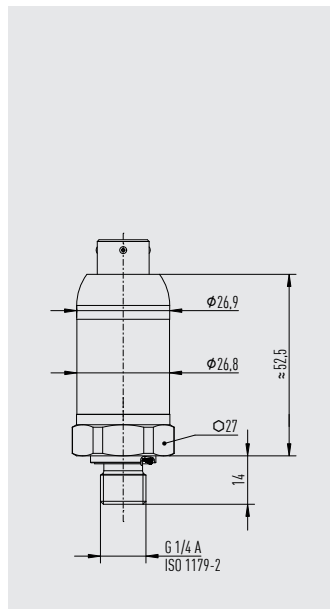


Weight: approx. 150 g [0.331 lb]

EN

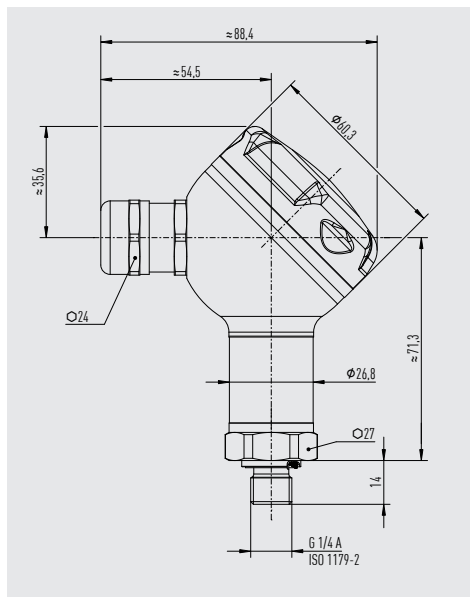
9. Specifications

Bayonet connector (6-pin)



Weight: approx. 150 g [0.331 lb]

Field case



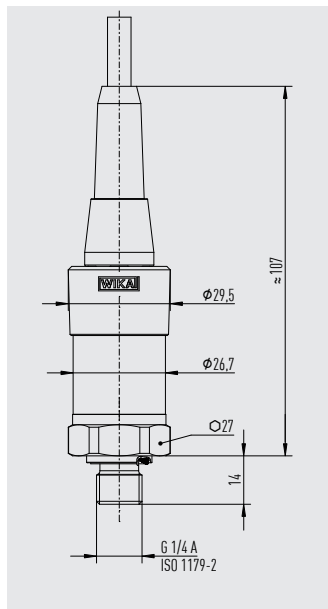
Weight: approx. 290 g [0.639 lb]

EN

14043170.09 04/2026 EN/DE/FR/ES PUBLIC

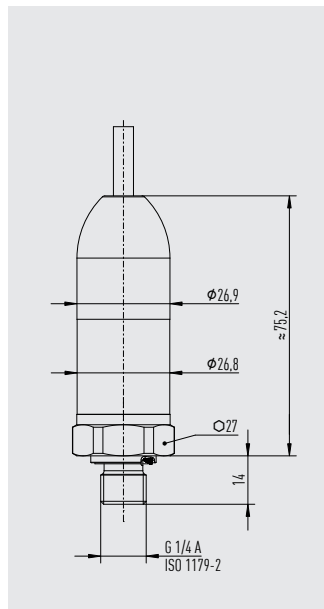
9. Specifications

Cable outlet IP67



Weight: approx. 150 g [0.331 lb]

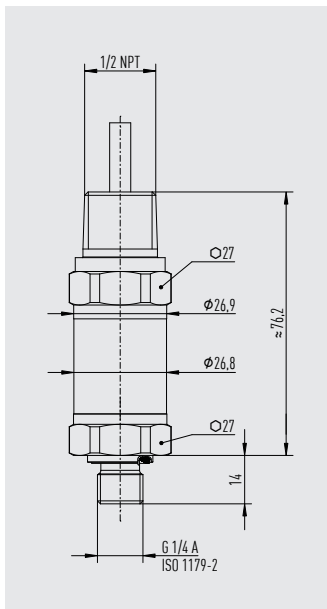
Cable outlet IP68, FEP, IP6K9K



Weight: approx. 220 g [0.485 lb]

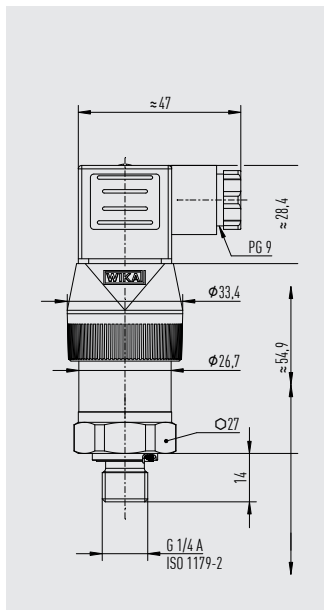
9. Specifications

Cable outlet 1/2 NPT conduit



Weight: approx. 220 g [0.485 lb]

Angular connector DIN EN 175301-803 A with zero point adjustment ring



Weight: approx. 170 g [0.375 lb]

EN

Inhaltsverzeichnis

1.	Allgemeines	32
2.	Sicherheit	33
3.	Transport, Verpackung und Lagerung	37
4.	Aufbau	38
5.	Inbetriebnahme und Betrieb	39
6.	Störungen	43
7.	Wartung und Reinigung	44
8.	Demontage, Rücksendung und Entsorgung	45
9.	Technische Daten	46

Konformitätserklärungen siehe www.wika.de

DE

1. Allgemeines

1. Allgemeines

- Das in der Betriebsanleitung beschriebene Gerät wird nach dem aktuellen Stand der Technik konstruiert und gefertigt. Alle Bauteile unterliegen während der Herstellung strengen Qualitäts- und Umweltkriterien. Unsere Managementsysteme sind nach ISO 9001 und ISO 14001 zertifiziert.
- Diese Betriebsanleitung gibt wichtige Hinweise zum Umgang mit dem Gerät. Voraussetzung für sicheres Arbeiten ist die Einhaltung aller angegebenen Sicherheitshinweise und Handlungsanweisungen.
- Unzulässige Änderungen am Produkt führen zum Verlust der Gewährleistung sowie dem Verlust von Serviceleistungen.
- Die für den Einsatzbereich des Geräts geltenden örtlichen Unfallverhütungsvorschriften und allgemeinen Sicherheitsbestimmungen einhalten.
- Die Betriebsanleitung ist Produktbestandteil und muss in unmittelbarer Nähe des Geräts für das Fachpersonal jederzeit zugänglich aufbewahrt werden. Betriebsanleitung an nachfolgende Bediener oder Besitzer des Geräts weitergeben.
- Das Fachpersonal muss die Betriebsanleitung vor Beginn aller Arbeiten sorgfältig durchgelesen und verstanden haben.
- In diesem Dokument wird zur besseren Lesbarkeit das generische Maskulinum verwendet. Weibliche und anderweitige Geschlechteridentitäten werden dabei ausdrücklich eingeschlossen.
- Falls vorhanden, gilt neben dieser Betriebsanleitung auch die mitgelieferte Zuliefererdokumentation als Produktbestandteil.
- Es gelten die allgemeinen Geschäftsbedingungen in den Verkaufsunterlagen.
- Technische Änderungen vorbehalten.
- Weitere Informationen:

Internet-Adresse:	www.wika.de / www.wika.com
Zugehöriges Datenblatt:	PE 81.61
Technische Information:	IN 00.14, IN 00.50, IN 00.40
Kontakt:	Tel: +49 9372 132-0 Info@wika.de

2. Sicherheit

1.1 Symbolerklärung



WARNUNG

... weist auf eine möglicherweise gefährliche Situation hin, die zum Tod oder zu schweren Verletzungen führen kann, wenn sie nicht gemieden wird.



VORSICHT

... weist auf eine möglicherweise gefährliche Situation hin, die zu geringfügigen oder leichten Verletzungen führen kann, wenn sie nicht gemieden wird.



HINWEIS

... weist auf eine möglicherweise gefährliche Situation hin, die zu Sach- und Umweltschäden führen kann, wenn sie nicht gemieden wird.



INFORMATION

... hebt nützliche Tipps und Empfehlungen sowie Informationen für einen effizienten und störungsfreien Betrieb hervor.

2. Sicherheit

2.1 Bestimmungsgemäße Verwendung

Der Typ S-20 ist ein Druckmessumformer (nachfolgend als Gerät bezeichnet), der zur Druckmessung in anspruchsvollen industriellen Anwendungen verwendet wird.

Das Gerät wurde für die Druckmessung von Fluiden der Fluidgruppe 2 (ungefährlich) nach Richtlinie 2014/68/EU Artikel 13, sowie Verordnung (EG) Nr. 1272/2008 entwickelt.

Ausführungen für Sauerstoffgas-Versorgungs- und -Verteilstationen als Option „sauerstoff-, öl- und fettfrei“ wurden für die Druckmessung von Fluiden der Fluidgruppe 1 (gefährlich) nach Richtlinie 2014/68/EU Artikel 13, sowie Verordnung (EG) Nr. 1272/2008 entwickelt.

2. Sicherheit

Ausführungen mit Eignung für Wasserstoff wurden für die Druckmessung von Fluiden der Fluidgruppe 1 (gefährlich) nach Richtlinie 2014/68/EU Artikel 13, sowie Verordnung (EG) Nr. 1272/2008 entwickelt.

Ausführungen für die Druckmessung von Fluiden der Fluidgruppe 1 (gefährlich) nach Richtlinie 2014/68/EU Artikel 13, sowie Verordnung (EG) Nr. 1272/2008 wurden mit der erhöhten Dichtheitsanforderung „Leckagerate 1×10^{-6} mbar^{l/s}“ kodiert, siehe Auftragsbestätigung oder Lieferschein.

Das Gerät darf nur in solchen Anwendungen verwendet werden, die innerhalb seiner technischen Leistungsgrenzen, insbesondere hinsichtlich dessen Werkstoffbeständigkeit, Grenzleckagerate sowie zulässigen Temperatur- und Druckgrenzwerten liegen.

Es obliegt allein der Verantwortung des Herstellers bzw. Betreibers einer Maschine oder Anlage, die Eignung des Geräts und dessen Messstoffbeständigkeit in der Anwendung durch korrekte Werkstoffauswahl und Wartungszyklen sicherzustellen.

Es obliegt allein der Verantwortung des Herstellers bzw. Betreibers einer Maschine oder Anlage, einen sicheren und dichten Druckanschluss sicherzustellen.

- Leistungsgrenzen siehe Kapitel ▶ 9 [Technische Daten](#).
- Leistungsgrenzen für Prozessanschlüsse siehe IN 00.14.
- Leistungsgrenzen für elektrische Anschlüsse siehe IN 00.50.
- Leistungsgrenzen für Wasserstoff siehe IN 00.40.

Die Montage, Demontage, Installation, Parametrierung und Wartung des Geräts in industrieller Umgebung erfordert unbedingt geeignetes Fachpersonal nach Kapitel ▶ 2.4 [Personalqualifikation](#).

Das Gerät erfüllt die Anforderungen der EMV-Richtlinie nach EN 61326 für Emissionen (Gruppe 1, Klasse B) und Störfestigkeit (industrielle Umgebung).

Das Gerät ist ausschließlich für die hier beschriebene bestimmungsgemäße Verwendung konzipiert und konstruiert und darf nur dementsprechend verwendet werden.

Ansprüche jeglicher Art aufgrund von nicht bestimmungsgemäßer Verwendung sind ausgeschlossen.

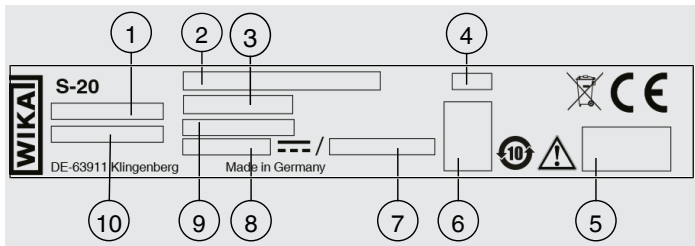
2.2 Fehlgebrauch

- Jede über die bestimmungsgemäße Verwendung hinausgehende oder andersartige Benutzung gilt als Fehlgebrauch.
- Eigenmächtige Umbauten am Gerät unterlassen.
- Nicht in explosionsgefährdeten Bereichen verwenden.
- Nicht in Sicherheits- oder in Not-Aus-Einrichtungen verwenden.

2. Sicherheit

- Nicht in Prozessen mit starker Betauung verwenden.
- Nicht in Schienenfahrzeugen verwenden.
- Nicht bei abrasiven und viskosen Messstoffen verwenden.
- Nicht bei chemisch und physikalisch instabilen Messstoffen verwenden.
- Nicht bei medizinischen Geräten verwenden.
- Nicht in der Kältetechnik verwenden.

2.3 Beschilderung, Sicherheitskennzeichnung



- | | | | |
|---|-------------------------|----|---------------------------|
| 1 | Artikelnummer | 6 | Anschlussbelegung |
| 2 | Zusatztext | 7 | Stromaufnahme |
| 3 | Messbereich | 8 | Hilfsenergie |
| 4 | Kodiertes Herstelldatum | 9 | Ausgangssignal |
| 5 | Zulassungen | 10 | Intelligente Seriennummer |

2. Sicherheit

Symbole



Vor Montage und Inbetriebnahme des Geräts unbedingt die Betriebsanleitung lesen.

DE



Gleichspannung



Nicht mit dem Hausmüll entsorgen. Für eine geordnete Entsorgung nach nationalen Vorgaben sorgen.

2.4 Personalqualifikation



INFORMATION

Die in dieser Betriebsanleitung beschriebenen Tätigkeiten nur durch Fachpersonal nachfolgend beschriebener Qualifikation durchführen lassen.

Fachpersonal

Das vom Betreiber autorisierte Fachpersonal ist aufgrund seiner fachlichen Ausbildung, seiner Kenntnisse der Mess- und Regelungstechnik und seiner Erfahrungen sowie Kenntnis der landesspezifischen Vorschriften, geltenden Normen und Richtlinien in der Lage, die beschriebenen Arbeiten auszuführen und mögliche Gefahren selbstständig zu erkennen.

3. Transport, Verpackung und Lagerung

3. Transport, Verpackung und Lagerung

3.1 Transport



HINWEIS

Beschädigungen durch unsachgemäßen Transport

Bei unsachgemäßem Transport können Sachschäden entstehen.

- ▶ Beim Abladen der Packstücke bei Anlieferung sowie innerbetrieblichem Transport vorsichtig vorgehen und die Symbole auf der Verpackung beachten.
- ▶ Bei innerbetrieblichem Transport die Hinweise in Kapitel ▶ 3.2 [Verpackung und Lagerung](#) beachten.

Gerät auf eventuell vorhandene Schäden untersuchen.

Bei Schäden Gerät nicht in Betrieb nehmen und unverzüglich Kontakt mit dem Hersteller aufnehmen.

3.2 Verpackung und Lagerung

Zulässige Bedingungen am Lagerort:

- Lagertemperatur: -40 ... +70 °C [-40 ... +158 °F]

DE

4. Aufbau

4. Aufbau

4.1 Übersicht



- 1 Elektrischer Anschluss
- 2 Blending ohne Nullpunktverstellung (je nach Ausführung)
- 3 Gehäuse, Typenschild
- 4 Schlüsselfläche
- 5 Gewinde

4.2 Lieferumfang

- Gerät
- Betriebsanleitung
- Bestellte Zeugnisse

5. Inbetriebnahme und Betrieb

- Testreport
- Bestelltes Zubehör

Lieferumfang mit dem Lieferschein abgleichen.

5. Inbetriebnahme und Betrieb



VORSICHT

Sachschaden durch Überschreiten der Leistungsgrenzen

Eine Überschreitung der Leistungsgrenzen kann das Gerät zerstören und zu Gefahren in der Endanwendung führen.

- ▶ Ein dauerhafter Betrieb im Überlastbereich ist nicht zulässig.
- ▶ Die Überdruckgrenze zu keinem Zeitpunkt überschreiten.

Bei Einsatz von gefährlichen Fluiden, Flüssigkeiten und Gasen



WARNUNG

Gefährliche Atmosphäre durch austretenden Messstoff

Bei Austritt des Messstoffs kann sich eine entzündliche oder explosionsfähige Atmosphäre bilden.

Eine mögliche explosionsfähige Atmosphäre kann zu Körperverletzungen oder Sachschäden führen.

- ▶ Sicherstellen, dass ausschließlich für den Einsatz mit Wasserstoff geeignete Dichtungen verwendet werden.
- ▶ Alle anwendungsspezifischen Regeln und Vorschriften einhalten, die für Installation und Betrieb in der Endanwendung gelten.

DE

5. Inbetriebnahme und Betrieb

5.1 Mechanische Montage

Es obliegt allein der Verantwortung des Herstellers bzw. Betreibers einer Maschine oder Anlage, einen sicheren und dichten Druckanschluss sicherzustellen.

- Das Gerät nur in sicherheitstechnisch einwandfreiem Zustand einsetzen.
 - Vor der Inbetriebnahme das Gerät optisch prüfen.
 - Auslaufende Flüssigkeit weist auf eine Beschädigung hin.
 - Offensichtliche Schäden unverzüglich mitteilen.
 - Während dem Einbau sicherstellen, dass die Membrane nicht beschädigt wird.
- Informationen zu Prozessanschlüssen siehe technische Information IN 00.14.

Beim Einschrauben des Geräts darf die dazu erforderliche Kraft nicht über das Gehäuse oder den Blending aufgebracht werden, sondern nur mit geeignetem Werkzeug über die dafür vorgesehene Schlüsselfläche, siehe ▶ 4.1 [Übersicht](#). Wird das Gerät über Kopf eingebaut, sicherstellen, dass sich kein Wasser am elektrischen Anschluss und am Blending sammeln kann. Wasser kann die Druckausgleichsmembrane verschließen.

5.2 Elektrische Montage

Spannungsversorgung

- Hilfsenergie siehe Typenschild
- Weitere Angaben zur elektrischen Montage siehe IN 00.50

Dies ist ein Gerät zum Betrieb mit Kleinspannungen, die von der Netzspannung AC 230 V (50 Hz) oder Spannungen größer AC 50 V bzw. DC 120 V für trockene Umgebungen getrennt sind. Empfohlen ist ein Anschluss an einen SELV-Stromkreis oder alternativ an Stromkreise mit einer anderen Schutzmaßnahme nach der Installationsnorm IEC 60364-4-41.

Für Geräte mit nordamerikanischer Zertifizierung nach UL/CSA IEC 61010-1:

Die Versorgung des Geräts muss durch einen energiebegrenzten Stromkreis nach 9.4 der UL/IEC/EN 61010-1 oder LPS nach UL/IEC/EN 62368-1 oder Class 2 nach UL1310/UL1585 (NEC oder CEC) erfolgen. Die Spannungsversorgung muss für den Betrieb oberhalb 2.000 m geeignet sein, falls das Gerät ab dieser Höhe verwendet wird.

Schirmung und Erdung

Das Gerät über den Prozessanschluss erden.

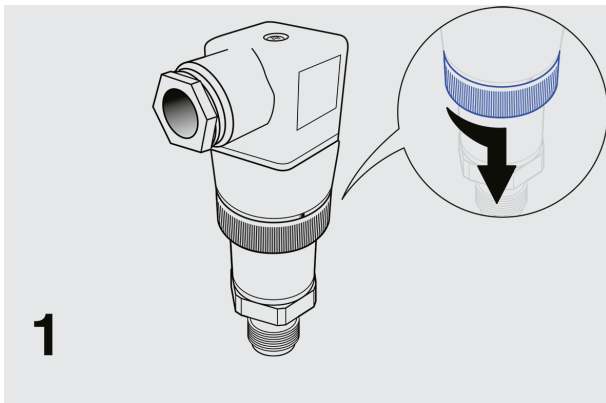
5. Inbetriebnahme und Betrieb

Anschlussbelegung

→ Anschlussbelegungen siehe Typenschild

5.3 Nullpunkteinstellung

Bei Ausführung mit Nullpunktverstellung kann der Nullpunkt während des Betriebs eingestellt werden.

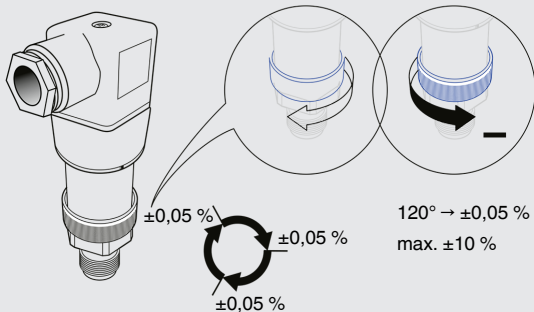


DE

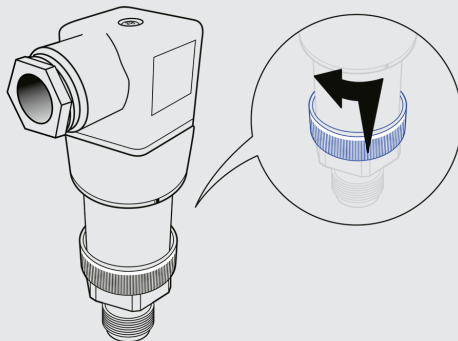
5. Inbetriebnahme und Betrieb

DE

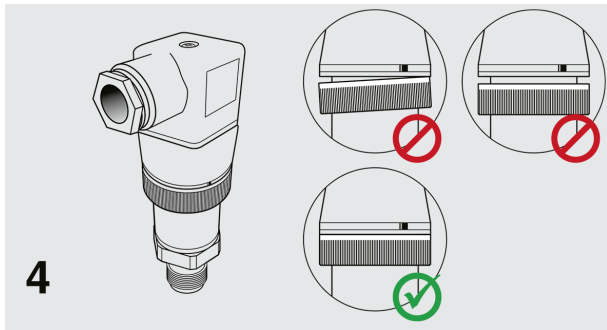
2



3



6. Störungen



DE

6. Störungen



INFORMATION

Können Störungen mit Hilfe der aufgeführten Maßnahmen nicht beseitigt werden, Gerät unverzüglich außer Betrieb setzen.

- ▶ Kontakt mit dem Hersteller aufnehmen.
- ▶ Bei notwendiger Rücksendung die Hinweise in Kapitel ▶ 8.2 [Rücksendung](#) beachten.



INFORMATION

Kontaktdaten siehe Kapitel ▶ 1 [Allgemeines](#) oder Rückseite der Betriebsanleitung.



INFORMATION

Bei Ausbleichungen an Kunststoffteilen (z. B. elektrischer Anschluss) müssen keine Maßnahmen erfolgen. Eine Verfärbung ist unbedenklich.

Bei Störungen zuerst überprüfen, ob das Gerät mechanisch und elektrisch korrekt montiert ist.

7. Wartung und Reinigung

Störungen	Ursachen	Maßnahme
Kein Ausgangssignal	Kabelbruch	Durchgang überprüfen
Kein Ausgangssignal	Keine/Falsche Hilfsenergie	Hilfsenergie korrigieren
Kein/Falsches Nullpunktsignal	Verdrahtungsfehler	Verdrahtung korrigieren
Signalspanne fällt ab / zu klein	Mechanische Überlast durch Überdruck	Gerät austauschen; bei wiederholtem Ausfall Kontakt mit dem Hersteller aufnehmen
Signalspanne fällt ab / zu klein	Dichtung/Dichtfläche beschädigt oder verschmutzt, Dichtung sitzt nicht korrekt, Gewindegänge verkantet	Dichtung/Dichtfläche säubern, ggf. Dichtung austauschen
Signalspanne fällt ab / zu klein oder schwankend/ungenau	EMV-Störquellen in Umgebung, z. B. Frequenzumrichter	Gerät abschirmen; Leitungsabschirmung; Störquelle entfernen
Signalspanne schwankend / ungenau	Zu hohe/niedrige Einsatztemperatur	Temperatur senken/erhöhen
Signalspanne schwankend / ungenau	Gerät nicht geerdet	Gerät erden
Signalspanne schwankend / ungenau	Stark schwankender Druck des Messstoffs	Dämpfung, Kontakt mit dem Hersteller aufnehmen
Abweichendes Nullpunktsignal	Zu hohe/niedrige Einsatztemperatur	Zulässige Temperaturen einhalten
Abweichendes Nullpunktsignal	Überdruckgrenze überschritten	Zulässige Überdruckgrenze einhalten
Gleichbleibendes Ausgangssignal bei Druckänderung	Mechanische Überlast durch Überdruck	Gerät austauschen; bei wiederholtem Ausfall Kontakt mit dem Hersteller aufnehmen

7. Wartung und Reinigung

7.1 Wartung

Dieses Gerät ist wartungsfrei.

Reparaturen sind ausschließlich vom Hersteller durchzuführen.

7.2 Reinigung

Nur handelsübliche und lösungsmittelfreie Reinigungsmittel verwenden.

8. Demontage, Rücksendung und Entsorgung

8. Demontage, Rücksendung und Entsorgung



WARNUNG

Körperverletzungen durch gefährliche Messstoffe

Bei Kontakt mit gefährlichen Messstoffen (z. B. Sauerstoff, Acetylen) und gesundheitsgefährdenden Messstoffen (z. B. ätzend, brennbar, giftig, krebserregend, radioaktiv) besteht die Gefahr von Körperverletzungen.

Im Fehlerfall können am Gerät gefährliche Messstoffe unter hohem Druck oder Vakuum anliegen.

- ▶ Bei diesen Messstoffen müssen über die gesamten allgemeinen Regeln hinaus die einschlägigen Vorschriften beachtet werden.

Bei Einsatz von gefährlichen Fluiden, Flüssigkeiten und Gasen



WARNUNG

Gefährliche Atmosphäre durch austretenden Messstoff

Bei Austritt des Messstoffs kann sich eine entzündliche oder explosionsfähige Atmosphäre bilden.

Eine mögliche explosionsfähige Atmosphäre kann zu Körperverletzungen oder Sachschäden führen.

- ▶ Sicherstellen, dass ausschließlich für den Einsatz mit Wasserstoff geeignete Dichtungen verwendet werden.
- ▶ Alle anwendungsspezifischen Regeln und Vorschriften einhalten, die für Installation und Betrieb in der Endanwendung gelten.

8.1 Demontage

Das Gerät nur im druck- und stromlosen Zustand demontieren.

8.2 Rücksendung

Beim Versand des Geräts unbedingt beachten:

- Alle an WIKA gelieferten Geräte müssen frei von Gefahrstoffen (Säuren, Laugen, Lösungen, etc.) sein und sind daher vor der Rücksendung zu reinigen, siehe Kapitel ▶ 7.2 [Reinigung](#).

DE

9. Technische Daten

- Zur Rücksendung des Geräts die Originalverpackung oder eine geeignete Transportverpackung verwenden.



INFORMATION

Hinweise zur Rücksendung befinden sich in der Rubrik „Service“ auf unserer lokalen Webseite (Rücksendungs-Applikation).

DE

8.3 Entsorgung

Durch falsche Entsorgung können Gefahren für die Umwelt entstehen. Gerätekomponenten und Verpackungsmaterialien entsprechend den landesspezifischen Abfallbehandlungs- und Entsorgungsvorschriften umweltgerecht entsorgen.

Entsorgung des Elektrogeräts



Dieses Gerät ist entsprechend der EU-Richtlinie über die Entsorgung von Elektro- und Elektronik-Altgeräten (WEEE) gekennzeichnet. Dieses Gerät darf nicht mit dem Hausmüll entsorgt werden.

- Altgeräte zur umweltgerechten Entsorgung bei einer ausgewiesenen Annahmestelle für die Entsorgung von Elektro- und Elektronikgeräten abgeben.
- Für eine geordnete Entsorgung nach nationalen Vorgaben sorgen und aktuell geltende Vorschriften dabei beachten.

9. Technische Daten

9.1 Technische Daten

Abhängig von der gewählten Geräteausführung (z. B. Dichtungen) kann die Spezifikation von den hier aufgeführten technischen Daten abweichen. Führend sind die Angaben in den Bestellunterlagen.

Bei Ausführung für spezielle Messstoffen, siehe Tabelle ▶ 9.2 [Optionen für spezielle Messstoffe](#).

Technische Daten

Messbereich	→ Siehe Typenschild
Maximaler Arbeitsdruck	→ Entspricht dem oberen Messbereichswert/Messbereichsendwert → Ein dauerhafter Betrieb oberhalb des maximalen Arbeitsdrucks ist unzulässig.

9. Technische Daten

Technische Daten

Überdruckgrenze	Die Überdruckgrenze bezieht sich auf den Messbereich. Abhängig vom gewählten Prozessanschluss und der Dichtung können sich Einschränkungen in der Überdruckgrenze ergeben. Eine höhere Überdruckgrenze hat einen erhöhten Temperaturfehler zur Folge. → Überdruckgrenze je Prozessanschluss siehe IN 00.14.	
bar	Messbereiche ≤ 16 bar	3-fach
	Messbereiche > 16 bar	2-fach
	Messbereich 1.000 bar	1,45-fach
	Messbereiche > 1.000 bar	1,25-fach
bar abs.	Messbereiche ≤ 16 bar abs.	3-fach
	Messbereiche > 16 bar abs.	2-fach
	Messbereich 40 bar abs.	1,5-fach
psi	Messbereiche ≤ 300 psi	3-fach
	Messbereiche > 300 psi	2-fach
	Messbereiche 600 psi, 1.000 psi, 1.500 psi, 4.000 psi, 6.000 psi, 10.000 psi	1,7-fach
	Messbereich 15.000 psi	1,45-fach
	Messbereiche > 15.000 psi	1,25-fach
psi abs.	Messbereiche ≤ 300 psi abs.	3-fach
	Messbereiche > 300 psi abs.	2-fach
	Messbereich 500 psi abs.	1,5-fach
	→ Weitere Überdruckgrenzen auf Anfrage	
Max. Messabweichung nach IEC 61298-2		
Nichtlinearität ≤ ±0,5 % der Spanne	≤ ±1 % der Spanne	
Nichtlinearität ≤ ±0,25 % der Spanne	≤ ±0,5 % der Spanne	

DE

14043170.09 04/2026 EN/DE/FR/ES PUBLIC

9. Technische Daten

Technische Daten

Nichtlinearität $\leq \pm 0,125$ % der Spanne	$\leq \pm 0,25$ % der Spanne	
Leckgerate	<ul style="list-style-type: none"> ■ $< 5 \cdot 10^{-3}$ mbar³/l/s ■ $< 1 \cdot 10^{-6}$ mbar³/l/s ^{1) 2)} 	
Ausgangssignal	→ Siehe Typenschild	
Hilfsenergie	→ Siehe Typenschild	
Stromaufnahme	→ Siehe Typenschild	
Anschlussbelegung	→ Siehe Typenschild	
Kurzschlussfestigkeit	S+ gegen U- → Nicht für ratiometrische Ausgangssignale	
Verpolungsschutz	U+ gegen U- → Nicht für ratiometrische Ausgangssignale	
Werkstoff (messstoffberührt)		
Sensor und Prozessanschluss	Messbereiche ≤ 25 bar [≤ 300 psi]	CrNi-Stahl 316L
	Messbereiche > 25 bar [> 300 psi]	CrNi-Stahl 316L + PH-Stahl
	Messbereiche > 1.000 bar [> 15.000 psi]	ASTM 630 + PH-Stahl
	Absolutdruck-Messbereiche	CrNi-Stahl 316L
	→ Dichtungen je Prozessanschluss, siehe Datenblatt oder IN 00.14 Informationen zu Prozessanschlüssen.	
Lagertemperaturgrenze	-40 ... +70 °C [-40 ... +158 °F]	
Feuchte nach EN 60068-2-30	0 ... 95 % relative Feuchte (keine Betauung)	
Feuchte nach CSA Zertifikat	0 ... 80 % relative Feuchte (keine Betauung)	

1) Bei Sauerstoff- und Wasserstoffanwendungen.

2) Bei Anwendungen von gefährlichen Fluiden, Flüssigkeiten und Gasen nach Richtlinie 2014/68/EU Artikel 13, Verordnung (EG) Nr. 1272/2008 bzw. GHS.

9. Technische Daten

Technische Daten

Höhenlage für Betrieb	≤ 2.000 m über NN
Verschmutzungsgrad	2
Überspannungskategorie	I
Schutzart (IP-Code) nach IEC 60529	→ Siehe IN 00.50 elektrische Anschlüsse
Lebensdauer	
Messbereiche < 600 bar [< 7.500 psi]	100 Millionen Lastwechsel
Messbereiche ≥ 600 bar [≥ 7.500 psi]	10 Millionen Lastwechsel

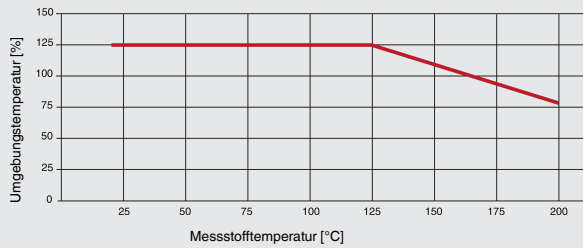
DE

Messstofftemperaturgrenze	Umgebungstemperaturgrenze	Hinweise
-30 ... +100 °C [-22 ... +212 °F]	-30 ... +100 °C [-22 ... +212 °F]	-
-40 ... +125 °C [-40 ... +257 °F]	-40 ... +125 °C [-40 ... +257 °F]	▶ 9.2 Wasserstoffausführung
-40 ... +150 °C [-40 ... +302 °F]	-40 ... +125 °C [-40 ... +257 °F] → Siehe Derating-Kurve	400 bar [5.000 psi] Mit integriertem Kühlelement
-40 ... +200 °C [-40 ... +392 °F]	-40 ... +125 °C [-40 ... +257 °F] → Siehe Derating-Kurve	400 bar [5.000 psi] Mit integriertem Kühlelement
-20 ... +60 °C [-4 ... +140 °F]	-20 ... +60 °C [-4 ... +140 °F]	▶ 9.2 Sauerstoffausführung

14043170.09 04/2026 EN/DE/FR/ES PUBLIC

9. Technische Daten

Derating-Kurve für Kühlelemente



Maximal zulässige Umgebungstemperatur (T_{amb})

$$T_{amb} (T_{med} < 125 \text{ °C}) = 125 \text{ °C}$$

$$T_{amb} (T_{med} \geq 125 \text{ °C}) = -0,62 \times T_{med} + 202 \text{ °C}$$

Maximal zulässige Messstofftemperatur (T_{med})

$$T_{med} (T_{amb} < 80 \text{ °C}) = 200 \text{ °C}$$

$$T_{med} (T_{amb} \geq 80 \text{ °C}) = -1,61 \times T_{amb} + 326 \text{ °C}$$

Abhängig von der Wahl der Dichtung am Prozessanschluss und des elektrischen Anschlusses, kann es zu Einschränkungen in der Messstoff- und Umgebungstemperatur kommen.

→ Weitere technische Daten siehe WIKA-Datenblatt PE 81.61 oder IN 00.14, IN 00.40 und IN 00.50 und Bestellunterlagen.

9.2 Optionen für spezielle Messstoffe

Optionen für spezielle Messstoffe

Lebensmittel | Lebensmitteltaugliches Druckübertragungsmedium

Öl- und fettfrei

Restkohlenwasserstoff | < 1.000 mg/m²

Verpackung | Schutzkappe auf dem Prozessanschluss

Sauerstoff, öl- und fettfrei

9. Technische Daten

Optionen für spezielle Messstoffe

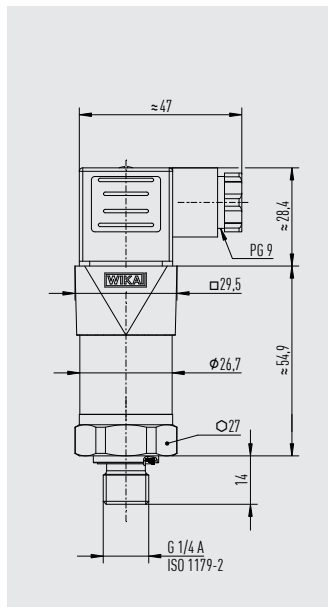
Restkohlenwasserstoff	Messbereiche < 30 bar [< 435 psi]	< 500 mg/m ²
	Messbereiche > 30 bar [< 435 psi]	< 200 mg/m ²
Messstofftemperaturgrenze	-20 ... +60 °C [-4 ... +140 °F]	
Max. Messbereich	400 bar [5.000 psi]	
Überdruckgrenze	2-fach	
Leckagerate	< 1*10 ⁻⁶ mbar ^l /s	
Druckübertragungsmedium	≤ 25 bar [≤ 300 psi]	Inertes Druckübertragungsmedium
Einfluss der Einbaulage (Messbereiche ≤ 1 bar)	Einbaulage 180°, senkrecht, Prozessanschluss oben	≤ 1,4 mbar [≤ 0,02 psi]
	Einbaulage 90°, waagrecht, Prozessanschluss seitlich	≤ 0,8 mbar [≤ 0,012 psi]
Verpackung	Schutzkappe auf dem Prozessanschluss	
Wasserstoff, öl- und fettfrei		
Messbereiche	0,4 ... 1.000 bar [10 ... 15.000 psi]	
Werkstoff (messstoffberührt)	316L und Elgiloy® (2.4711)	
Restkohlenwasserstoff	< 1.000 mg/m ²	
Leckagerate	< 1*10 ⁻⁶ mbar ^l /s	
Messstofftemperaturgrenze	-40 ... +125 °C [-40 ... +257 °F]	
	→ Weitere Informationen siehe technische Information IN 00.40 auf der Webseite.	
Wasser (erhöhte Stabilität)		
Messbereiche	10 ... 25 bar [150 ... 300 psi]	
Trockene Messzelle		
Messbereiche	10 ... 25 bar [150 ... 300 psi]	
Überdruckgrenze	2-fach	

DE

9. Technische Daten

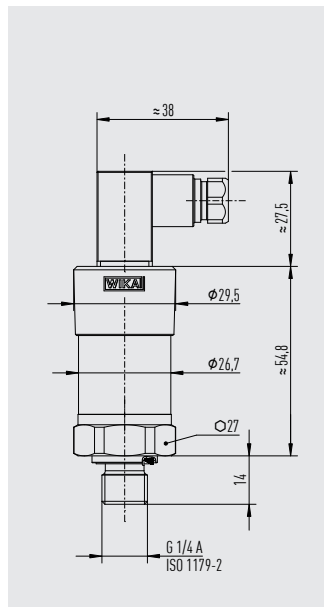
9.3 Abmessungen in mm

Winkelstecker DIN EN 175301-803 A



Gewicht: ca. 150 g [0,331 lb]

Winkelstecker DIN EN 175301-803 C

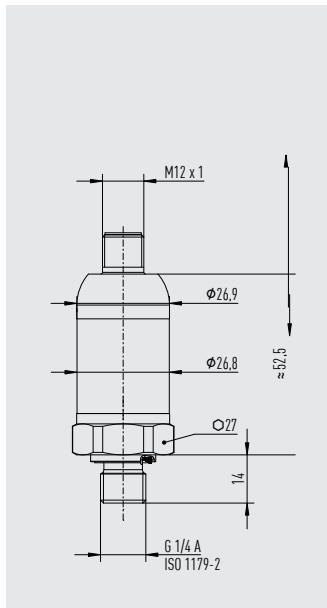


Gewicht: ca. 150 g [0,331 lb]

DE

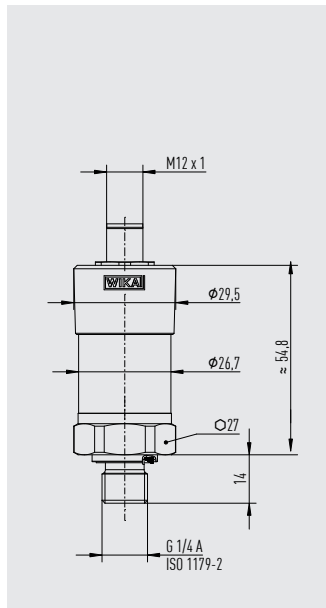
9. Technische Daten

Rundstecker M12 x 1 (4-polig, metallisch)



Gewicht: ca. 150 g [0,331 lb]

Rundstecker M12 x 1 (4-polig)



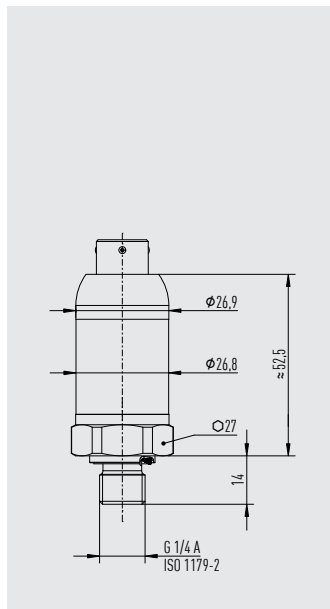
Gewicht: ca. 150 g [0,331 lb]

DE

14043170.09 04/2026 EN/DE/FR/ES PUBLIC

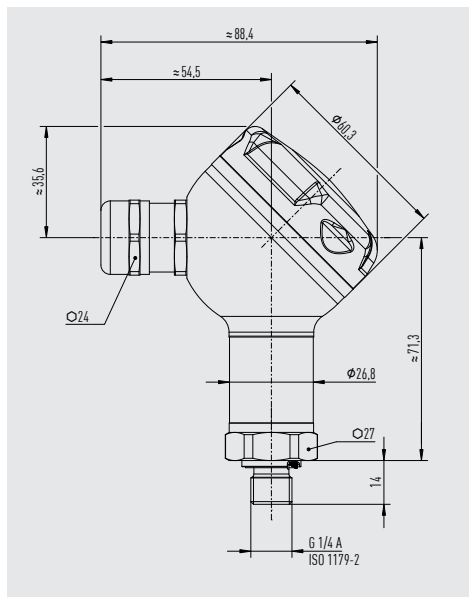
9. Technische Daten

Bajonettstecker (6-polig)



Gewicht: ca. 150 g [0,331 lb]

Feldgehäuse

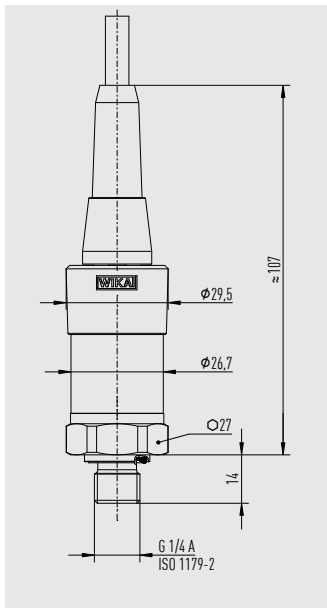


Gewicht: ca. 290 g [0,639 lb]

DE

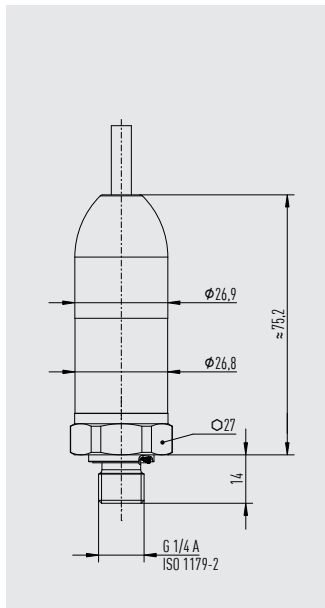
9. Technische Daten

Kabelausgang IP67



Gewicht: ca. 150 g [0,331 lb]

Kabelausgang IP68, FEP, IP6K9K



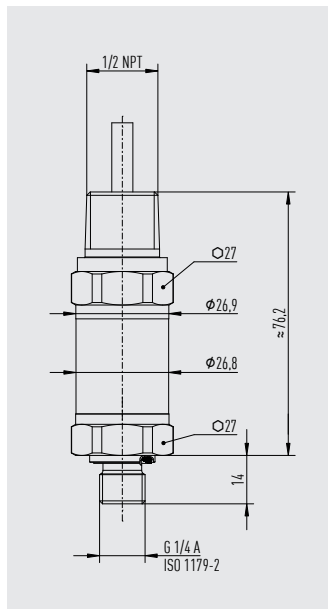
Gewicht: ca. 220 g [0,485 lb]

DE

14043170.09 04/2026 EN/DE/FR/ES PUBLIC

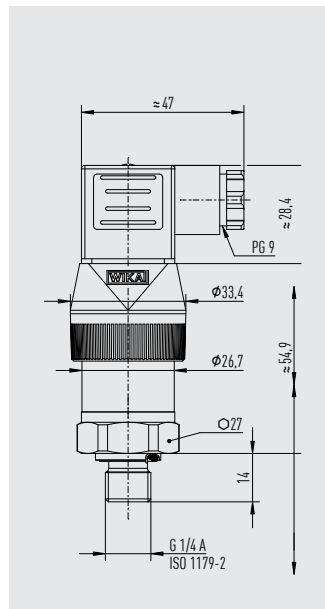
9. Technische Daten

Kabelausgang 1/2 NPT Conduit



Gewicht: ca. 220 g [0,485 lb]

Winkelstecker DIN EN 175301-803 A mit Nullpunktverstellung



Gewicht: ca. 170 g [0,375 lb]

Sommaire

1. Généralités	60
2. Sécurité	61
3. Transport, emballage et stockage	65
4. Exécution	66
5. Mise en service et utilisation	67
6. Dysfonctionnements	71
7. Entretien et nettoyage	72
8. Démontage, retour et mise au rebut	73
9. Spécifications	75

Déclarations de conformité disponibles sur www.wika.de

1. Généralités

1. Généralités

- L'instrument décrit dans le mode d'emploi est conçu et fabriqué selon les dernières technologies. Tous les composants sont soumis à des critères de qualité et d'environnement stricts durant la fabrication. Nos systèmes de management sont certifiés selon les normes ISO 9001 et ISO 14001.
- Ce mode d'emploi donne des indications importantes concernant l'utilisation de l'instrument. Il est possible de travailler en toute sécurité avec ce produit en respectant toutes les consignes de sécurité et d'utilisation.
- Toute modifications non autorisée sur le produit entraîne la perte de la garantie et de services.
- Respecter les prescriptions locales de prévention contre les accidents et les prescriptions générales de sécurité en vigueur pour le domaine d'application de l'instrument.
- Le mode d'emploi fait partie de l'instrument ; il doit être conservé à proximité immédiate de celui-ci et accessible à tout moment pour le personnel qualifié. Confier le mode d'emploi à l'utilisateur ou propriétaire ultérieur de l'instrument.
- Le personnel qualifié doit, avant de commencer toute opération, avoir lu soigneusement et compris le mode d'emploi.
- Dans ce document, le masculin générique est utilisé à des fins de lisibilité. Les identités féminines et les autres identités de genre sont explicitement incluses.
- Le cas échéant, la documentation fournie par le fournisseur est également considérée comme faisant partie du produit, en plus du présent mode d'emploi.
- Les conditions générales contenues dans la documentation de vente s'appliquent.
- Sous réserve de modifications techniques.
- Pour obtenir d'autres informations :

Site Internet :	www.wika.fr / www.wika.com
Fiche technique correspondante :	PE 81.61
Informations techniques :	IN 00.14, IN 00.50, IN 00.40
Contact :	Tél. : +49 9372 132-0 info@wika.fr

2. Sécurité

1.1 Explication des symboles



AVERTISSEMENT

... indique une situation présentant des risques susceptibles de provoquer la mort ou des blessures graves si elle n'est pas évitée.



ATTENTION

... indique une situation potentiellement dangereuse et susceptible de provoquer de légères blessures ou des dommages matériels et écologiques si elle n'est pas évitée.



REMARQUE

... indique une situation potentiellement dangereuse et susceptible de provoquer des dommages à l'équipement ou l'environnement si elle n'est pas évitée.



INFORMATION

... met en exergue des conseils et recommandations utiles ainsi que des informations permettant d'assurer un fonctionnement efficace et normal.

FR

2. Sécurité

2.1 Utilisation conforme à l'usage prévu

Le transmetteur de pression type S-20 (ci-après dénommé l'instrument) est utilisé pour la mesure de pression dans les applications industrielles exigeantes.

Cet appareil a été conçu pour la mesure de la pression des fluides du groupe 2 (non dangereux), conformément à l'article 13 de la directive 2014/68/UE et au règlement (CE) n° 1272/2008.

Des versions destinées aux stations d'alimentation et de distribution d'oxygène ont été mises au point en tant qu'options "exemptes d'oxygène, d'huiles et de graisses" pour la mesure de la pression des fluides du groupe 1 (dangereux), conformément à l'article 13 de la directive 2014/68/UE et au règlement (CE) n° 1272/2008.

2. Sécurité

Des versions adaptées à l'hydrogène ont été mises au point pour la mesure de la pression des fluides du groupe 1 (dangereux), conformément à l'article 13 de la directive 2014/68/UE et au règlement (CE) n° 1272/2008.

Les versions destinées à la mesure de la pression des fluides du groupe 1 (dangereux), conformément à l'article 13 de la directive 2014/68/UE et au règlement (CE) n° 1272/2008, ont été homologuées avec l'exigence d'étanchéité renforcée "taux de fuite de 1×10^{-6} mbar³/s" ; voir la confirmation de commande ou le bordereau de livraison.

L'instrument admissible peut être utilisé uniquement dans des applications se trouvant dans les limites de ses performances techniques, en particulier en ce qui concerne ses limites de résistance du matériau, les limites du taux de fuite et les limites de température admissible et de pression.

Il est de la seule responsabilité du fabricant ou de l'opérateur d'une machine ou d'une installation d'assurer l'aptitude de l'instrument et sa résistance aux fluides dans les limites de l'application par le choix correct des matériaux et des cycles d'entretien.

Le fabricant ou l'opérateur d'une machine ou d'une installation est seul responsable de la sécurité et de l'étanchéité du raccord de pression.

- Pour les limites de performance voir chapitre ▶ 9 [Spécifications](#).
- Pour les limites de performance pour les raccords process, voir IN 00.14.
- Pour les limites de performance des raccordements électriques, voir IN 00.50.
- Pour les limites de performance pour l'hydrogène voir IN 00.40.

L'installation, le démontage, le montage, la paramétrisation et l'entretien de l'instrument dans des environnements industriels exige du personnel qualifié pour cela en conformité avec le chapitre ▶ 2.4 [Qualification du personnel](#).

L'instrument est conforme à la directive CEM selon la norme EN 61326 pour les émissions (groupe 1, classe B) et l'immunité (environnement industriel).

L'instrument est conçu et exécuté exclusivement pour une utilisation conforme à l'usage prévu décrit ici et ne doit être utilisé qu'en conséquence.

Aucune réclamation auprès du fabricant ne peut être recevable en cas d'utilisation non conforme à l'usage prévu.

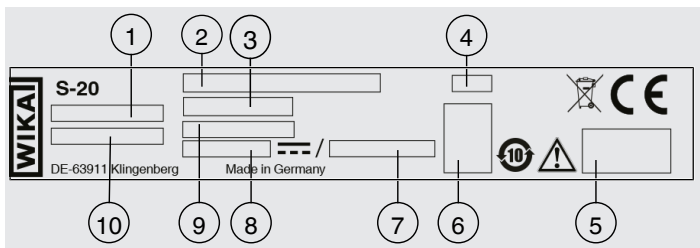
2.2 Utilisation inappropriée

- Toute utilisation différente ou au-delà de l'utilisation prévue est considérée comme inappropriée.
- S'abstenir de modifications non autorisées sur l'instrument.
- Ne pas utiliser en zone explosive.
- Ne pas utiliser dans des dispositifs de sécurité ou d'arrêt d'urgence.

2. Sécurité

- Ne pas utiliser dans des process avec forte condensation.
- Ne pas utiliser dans les véhicules ferroviaires.
- Ne pas utiliser avec des fluides abrasifs et visqueux.
- Ne pas utiliser avec des fluides chimiquement ou physiquement instables.
- Ne pas utiliser avec des dispositifs médicaux.
- Ne pas utiliser dans la technologie du froid.

2.3 Etiquetage, marquages de sécurité



- | | | | |
|---|---------------------------|----|-------------------------------|
| 1 | Numéro d'article | 6 | Configuration du raccordement |
| 2 | Texte supplémentaire | 7 | Alimentation de courant |
| 3 | Etendue de mesure | 8 | Alimentation auxiliaire |
| 4 | Date de fabrication codée | 9 | Signal de sortie |
| 5 | Agréments | 10 | Numéro de série intelligent |

2. Sécurité

Symboles



Lire impérativement le mode d'emploi avant le montage et la mise en service de l'instrument.



Tension DC



Ne pas mettre au rebut avec les ordures ménagères. Assurer une mise au rebut correcte en conformité avec les réglementations nationales.

2.4 Qualification du personnel



INFORMATION

Les opérations décrites dans ce mode d'emploi ne doivent être effectuées que par un personnel ayant la qualification décrite ci-après.

Personnel qualifié

Le personnel qualifié, autorisé par l'opérateur, est, en raison de sa formation spécialisée, de ses connaissances dans le domaine de l'instrumentation de mesure et de régulation et de son expérience, de même que de sa connaissance des réglementations nationales et des normes en vigueur, en mesure d'effectuer les travaux décrits et d'identifier de façon autonome les dangers potentiels.

3. Transport, emballage et stockage

3. Transport, emballage et stockage

3.1 Transport



REMARQUE

Dommages liés à un transport inapproprié

Des dommages aux équipements liés à un transport inapproprié peuvent se produire.

- ▶ Lors du déchargement des colis à la livraison comme lors du transport des colis en interne après réception, il faut procéder avec soin et observer les consignes liées aux symboles figurant sur les emballages.
- ▶ Lors du transport en interne après réception, observer les instructions du chapitre
 - ▶ 3.2 [Emballage et stockage](#).

Vérifier que l'instrument n'est pas endommagé.

En cas de dommages, ne pas mettre l'instrument en service et contacter immédiatement le fabricant.

3.2 Emballage et stockage

Conditions admissibles sur le lieu de stockage :

- Température de stockage : -40 ... +70 °C [-40 ... +158 °F]

4. Exécution

4. Exécution

4.1 Vue générale



- 1 Raccordement électrique
- 2 Bague du capuchon sans bague de réglage du point zéro (selon la version)
- 3 Boîtier, plaque signalétique
- 4 Surplat
- 5 Filetage

4.2 Détail de la livraison

- Instrument
- Mode d'emploi
- Certificats commandés

5. Mise en service et utilisation

- Relevé de contrôle
- Accessoires commandés

Comparer le détail de la livraison avec le bordereau de livraison.

5. Mise en service et utilisation



ATTENTION

Dommages aux équipements résultant du dépassement des limites de performance

Un dépassement des limites de performance peut détruire l'instrument et provoquer des risques au niveau de l'application finale.

- ▶ Toute opération permanente dans la plage de surpression est interdite.
- ▶ Ne jamais dépasser la limite de surpression.

Lors de l'utilisation de fluides, liquides et gaz dangereux



AVERTISSEMENT

Atmosphère dangereuse résultant de fuites de fluides

Les fuites de fluides peuvent entraîner la formation d'une atmosphère inflammable ou explosive.

Une zone explosive peut entraîner des blessures physiques ou des dommages aux équipements.

- ▶ Utiliser uniquement des joints d'étanchéité adaptés à l'hydrogène.
- ▶ Respecter toutes les règles et réglementations spécifiques à l'application qui s'appliquent à cette dernière et au fonctionnement dans le cadre de l'utilisation finale.

5.1 Montage mécanique

Le fabricant ou l'opérateur d'une machine ou d'une installation est seul responsable de la sécurité et de l'étanchéité du raccord de pression.

5. Mise en service et utilisation

- L'instrument ne doit être utilisé qu'en parfait état de sécurité technique.
 - Avant la mise en service, l'instrument doit être soumis à un contrôle visuel.
 - L'existence d'une fuite de liquide indique des dommages.
 - Signaler immédiatement les défauts détectés.
 - Pendant l'installation, assurez-vous que la membrane n'est pas endommagée.
- Pour obtenir des informations concernant les raccords process, voir les informations techniques IN 00.14.

Lors du vissage de l'instrument, le couple de serrage ne doit pas être appliqué sur le boîtier ou la bague du capuchon, mais seulement sur les surfaces prévues et ce avec un outil approprié, voir ► 4.1 [Vue générale](#). Si l'instrument est monté à l'envers, il faut s'assurer que l'eau ne peut pas stagner au niveau du raccordement électrique et sur la bague du capuchon. L'eau risque de bloquer la membrane de compensation de la pression.

5.2 Montage électrique

Tension d'alimentation

- Pour l'alimentation auxiliaire, voir la plaque signalétique
- Pour plus de détails sur le montage électrique, voir IN 00.50

Cet instrument est prévu pour fonctionner avec des tensions faibles, qui sont séparées de l'alimentation secteur 230 VAC (50 Hz) – ou de tensions supérieures à 50 VAC ou 120 VDC pour des environnements secs. Une connexion à un circuit SELV est recommandée, ou à des circuits avec une mesure de protection différente selon la norme d'installation CEI 60364-4-41.

Pour des instrument avec certification nord-américaine selon UL/CSA CEI 61010-1 :

L'alimentation électrique pour l'instrument doit être effectuée au moyen d'un circuit électrique limité en énergie en conformité avec la section 9.4 de la norme UL/CEI/EN 61010-1 ou un LPS selon la norme UL/CEI/EN 62368-1 ou classe 2 en conformité avec UL1310/UL1585 (NEC ou CEC). La tension d'alimentation doit convenir pour un fonctionnement au-dessus de 2.000 m dans le cas où l'instrument serait utilisé à cette altitude.

Blindage et mise à la terre

Mise à la terre de l'instrument par le raccord process.

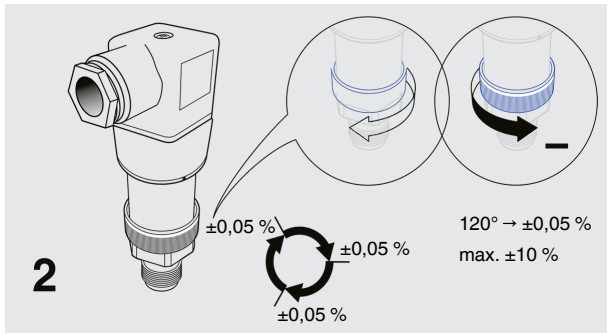
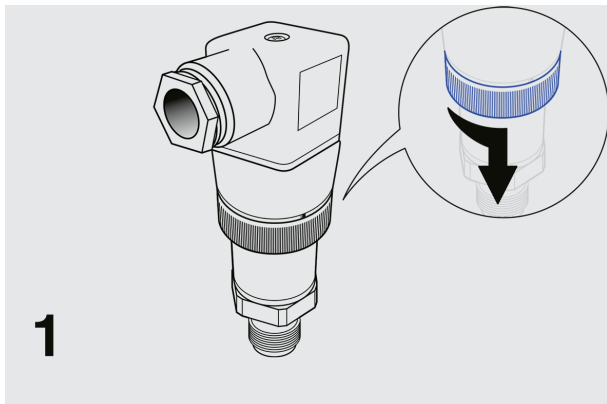
Configuration du raccordement

- Pour la configuration du raccordement, voir la plaque signalétique

5. Mise en service et utilisation

5.3 Réglage du point zéro

Avec les versions avec bague de réglage du point zéro, le point zéro peut être réglé pendant le fonctionnement.

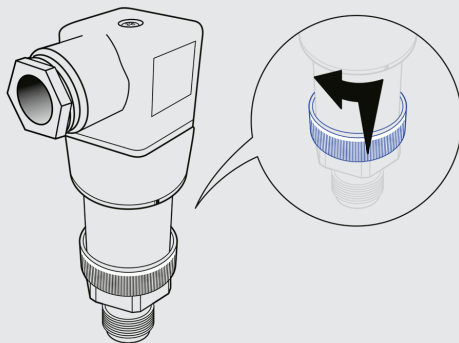


FR

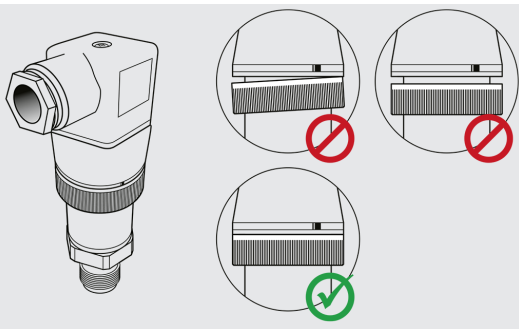
5. Mise en service et utilisation

FR

3



4



6. Dysfonctionnements

6. Dysfonctionnements



INFORMATION

Si les défauts ne peuvent pas être éliminés au moyen des mesures listées, l'instrument doit être mis hors service immédiatement.

- ▶ Contacter le fabricant
- ▶ Si un retour de l'instrument s'avère nécessaire, merci de respecter les indications mentionnées au chapitre ▶ 8.2 [Retour](#).



INFORMATION

Pour le détail des contacts, voir le chapitre ▶ 1 [Généralités](#) ou au dos du mode d'emploi.



INFORMATION

Aucune mesure n'est nécessaire si les pièces en plastique (par exemple, les raccords électriques) se décolorent. La décoloration est sans danger.

En cas de pannes, vérifier d'abord si l'instrument est correctement monté sur le plan mécanique et électrique.

Dysfonctionnements	Raisons	Mesure
Pas de signal de sortie	Câble sectionné	Vérifier la continuité
Pas de signal de sortie	Alimentation auxiliaire absente/incorrecte	Corriger l'alimentation auxiliaire
Signal de point zéro absent/incorrect	Erreur de raccordement électrique	Corriger le raccordement
Plage de signaux tombe/trop petite	Surcharge mécanique causée par une surpression	Remplacer l'instrument ; s'il tombe en panne de manière répétée, contacter le fabricant
Plage de signaux tombe/trop petite	Étanchéité / Surface d'étanchéité endommagée ou souillée, le joint d'étanchéité n'est pas hermétique, les filetages sont grippés	Nettoyer l'étanchéité / la surface d'étanchéité, remplacer l'étanchéité si possible

7. Entretien et nettoyage

Dysfonctionnements	Raisons	Mesure
La plage de signaux tombe / est trop petite ou varie / n'est pas précise	Sources d'interférence CEM dans l'environnement ; par exemple convertisseur de fréquence	Utiliser un blindage pour l'instrument; câble blindé ; éliminer la source des interférences
Le signal de sortie varie/n'est pas précis	Température de fonctionnement trop haute/trop basse	Baisser/augmenter la température
Le signal de sortie varie/n'est pas précis	Instrument non mis à la terre	Mettre l'instrument à la terre
Le signal de sortie varie/n'est pas précis	Pression du fluide qui fluctue fortement	Amortissement, contacter le fabricant
Déviaton du signal de point zéro	Température de fonctionnement trop haute/trop basse	Respecter les températures admissibles
Déviaton du signal de point zéro	Limite de surpression dépassée	Respectez la limite de surpression admissible
Signal de sortie constant après une variation de pression	Surcharge mécanique causée par une surpression	Remplacer l'instrument ; s'il tombe en panne de manière répétée, contacter le fabricant

7. Entretien et nettoyage

7.1 Entretien

Cet instrument ne requiert aucun entretien.

Les réparations ne doivent être effectuées que par le fabricant.

7.2 Nettoyage

Utiliser uniquement des produits de nettoyage disponibles dans le commerce et sans solvant.

8. Démontage, retour et mise au rebut

8. Démontage, retour et mise au rebut



AVERTISSEMENT

Blessures physiques causées par un fluide dangereux

Lors du contact avec un fluide dangereux (par exemple oxygène, acétylène) ou un fluide nocif (par exemple corrosif, inflammable, toxique, cancérigène, radioactif), il existe un risque de blessures physiques.

En cas de défaillance, des fluides dangereux sous pression élevée ou sous vide peuvent être présents au niveau de l'instrument.

- ▶ Pour ces fluides, les codes et directives appropriés existants doivent être observés en plus des réglementations standard.

Lors de l'utilisation de fluides, liquides et gaz dangereux



AVERTISSEMENT

Atmosphère dangereuse résultant de fuites de fluides

Les fuites de fluides peuvent entraîner la formation d'une atmosphère inflammable ou explosive.

Une zone explosive peut entraîner des blessures physiques ou des dommages aux équipements.

- ▶ Utiliser uniquement des joints d'étanchéité adaptés à l'hydrogène.
- ▶ Respecter toutes les règles et réglementations spécifiques à l'application qui s'appliquent à cette dernière et au fonctionnement dans le cadre de l'utilisation finale.

8.1 Démontage

Ne démonter l'instrument qu'après l'avoir dépressurisé et mis hors tension.

8.2 Retour

En cas d'envoi de l'instrument, il faut respecter impérativement les points suivants :

- Tous les instruments livrés à WIKA doivent être exempts de substances dangereuses (acides, bases, solutions, etc.) et doivent donc être nettoyés avant d'être retournés ; voir chapitre ▶ 7.2 [Nettoyage](#).

8. Démontage, retour et mise au rebut

- Pour retourner l'instrument, utiliser l'emballage original ou un emballage adapté pour le transport.



INFORMATION

Des informations relatives à la procédure de retour sont disponibles sur notre site Internet (demande de retour) à la rubrique « Services ».

8.3 Mise au rebut

Une mise au rebut inadéquate peut représenter un risque pour l'environnement. Éliminer les composants des instruments et les matériaux d'emballage conformément aux prescriptions nationales pour le traitement et l'élimination des déchets et aux lois de protection de l'environnement en vigueur.

FR

9. Spécifications

Mise au rebut de l'équipement électrique



Cet instrument est étiqueté conformément à la directive européenne relative aux déchets d'équipements électriques et électroniques (DEEE). Cet instrument ne doit pas être mis au rebut avec les ordures ménagères.

- Remettre les instruments usagés à un point de collecte désigné pour la mise au rebut des appareils électriques et électroniques afin qu'ils soient éliminés dans le respect de l'environnement.
- Assurer une mise au rebut correcte en conformité avec les réglementations nationales et respecter les réglementations en vigueur.

9. Spécifications

9.1 Spécifications

En fonction de la version d'instrument sélectionnée (par exemple, joints d'étanchéité), les spécifications peuvent différer de celles indiquées ici. Les spécifications dans la documentation de commande prévalent.

Pour les versions conçues pour des fluides spéciaux, se reporter au tableau ► 9.2 [Options pour fluide spécifique](#).

Spécifications

Etendue de mesure	→ Voir plaque signalétique	
Pression de service maximale	→ Correspond à la valeur supérieure de l'étendue de mesure / valeur pleine échelle de l'étendue de mesure → Aucune opération permanente au-dessus de la pression de fonctionnement maximale est interdite.	
Limite de surpression	La limite de surpression est basée sur l'étendue de mesure. En fonction du raccord process et du joint d'étanchéité sélectionnés, il peut y avoir des restrictions concernant la surpression admissible. Une limite de surpression supérieure provoque une erreur de température plus élevée. → Pour la limite de surpression du raccord process concerné, voir IN 00.14.	
bar	Etendues de mesure ≤ 16 bar	3 fois
	Etendues de mesure > 16 bar	2 fois
	Etendue de mesure 1.000 bar	1,45 fois

9. Spécifications

Spécifications

bar	Etendues de mesure > 1.000 bar	1,25 fois
bar abs.	Etendues de mesure ≤ 16 bar abs.	3 fois
	Etendues de mesure > 16 bar abs.	2 fois
	Etendue de mesure 40 bar abs.	1,5 fois
psi	Etendues de mesure ≤ 300 psi	3 fois
	Etendues de mesure > 300 psi	2 fois
	Etendues de mesure 600 psi, 1.000 psi, 1.500 psi, 4.000 psi, 6.000 psi, 10.000 psi	1,7 fois
	Etendue de mesure 15.000 psi	1,45 fois
	Etendues de mesure > 15.000 psi	1,25 fois
psi abs.	Etendues de mesure ≤ 300 psi abs.	3 fois
	Etendues de mesure > 300 psi abs.	2 fois
	Etendue de mesure 500 psi abs.	1,5 fois
	→ Autres limites de surpression sur demande	
Ecart de mesure max. selon CEI 61298-2		
Non-linéarité ≤ ±0,5 % de l'échelle	≤ ±1 % de l'échelle	
Non-linéarité ≤ ±0,25 % de l'échelle	≤ ±0,5 % de l'échelle	
Non-linéarité ≤ ±0,125 % de l'échelle	≤ ±0,25 % de l'échelle	
Taux de fuite	<ul style="list-style-type: none"> ■ < 5*10⁻³ mbar*l/s ■ < 1*10⁻⁶ mbar*l/s ^{1) 2)} 	
Signal de sortie	→ Voir plaque signalétique	

1) Avec des applications avec de l'oxygène et de l'hydrogène.

2) Pour les applications impliquant des fluides, liquides et gaz dangereux, conformément à l'article 13 de la directive 2014/68/UE, au règlement (CE) n° 1272/2008 ou au GHS.

9. Spécifications

Spécifications

Alimentation auxiliaire	→ Voir plaque signalétique
Alimentation de courant	→ Voir plaque signalétique
Configuration du raccordement	→ Voir plaque signalétique
Résistance court-circuit	S+ contre U- → Pas pour les signaux de sortie ratiométriques
Protection contre l'inversion de polarité	U+ contre U- → Pas pour les signaux de sortie ratiométriques

Matériau (en contact avec le fluide)

Capteur et raccord process	Etendues de mesure ≤ 25 bar [≤ 300 psi]	Acier inox 316L
	Etendues de mesure > 25 bar [> 300 psi]	Acier inox 316L + acier PH
	Etendues de mesure > 1.000 bar [> 15.000 psi]	ASTM 630 + acier de qualité PH
	Etendues de mesure de pression absolue	Acier inox 316L
→ Joints d'étanchéité pour chaque raccord process, voir fiche technique ou informations IN 00.14 sur les raccords process.		

Limite de température de stockage	-40 ... +70 °C [-40 ... +158 °F]
Humidité selon EN 60068-2-30	0 ... 95 % d'humidité relative (sans condensation)
Humidité selon certificat CSA	0 ... 80 % d'humidité relative (sans condensation)
Altitude de fonctionnement	≤ 2.000 m au-dessus du niveau de la mer
Niveau de pollution	2
Catégorie de surtension	I
Indice de protection (code IP) selon CEI 60529	→ Voir IN 00.50 raccords électriques

Durée de vie

FR

14043170.09 04/2026 EN/DE/FR/ES PUBLIC

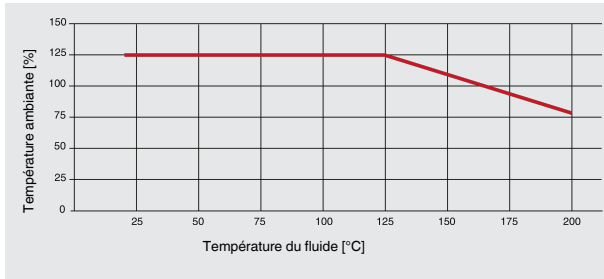
9. Spécifications

Spécifications

Etendues de mesure < 600 bar [< 7.500 psi]	100 millions de cycles de chargement
Etendues de mesure ≥ 600 bar [≥ 7.500 psi]	10 millions de cycles de chargement

Limite de température du fluide	Limite de température ambiante	Notes
-30 ... +100 °C [-22 ... +212 °F]	-30 ... +100 °C [-22 ... +212 °F]	-
-40 ... +125 °C [-40 ... +257 °F]	-40 ... +125 °C [-40 ... +257 °F]	► 9.2 Version pour l'hydrogène
-40 ... +150 °C [-40 ... +302 °F]	-40 ... +125 °C [-40 ... +257 °F] → Voir courbe de déclassement	400 bar [5.000 psi] Avec élément de refroidissement intégré
-40 ... +200 °C [-40 ... +392 °F]	-40 ... +125 °C [-40 ... +257 °F] → Voir courbe de déclassement	400 bar [5.000 psi] Avec élément de refroidissement intégré
-20 ... +60 °C [-4 ... +140 °F]	-20 ... +60 °C [-4 ... +140 °F]	► 9.2 Version à oxygène

Courbe de réduction de puissance pour éléments de refroidissement



9. Spécifications

Température ambiante maximale admissible (T_{amb})	Température du fluide maximale admissible (T_{med})
$T_{amb} (T_{med} < 125\text{ °C}) = 125\text{ °C}$	$T_{med} (T_{amb} < 80\text{ °C}) = 200\text{ °C}$
$T_{amb} (T_{med} \geq 125\text{ °C}) = -0,62 \times T_{med} + 202\text{ °C}$	$T_{med} (T_{amb} \geq 80\text{ °C}) = -1,61 \times T_{amb} + 326\text{ °C}$

En fonction du choix du joint d'étanchéité sur le raccord process et du raccordement électrique, la température du fluide et la température ambiante peuvent être limitées.

→ Pour de plus amples spécifications, voir la fiche technique WIKA PE 81.61 ou IN 00.14, IN 00.40 et IN 00.50 ainsi que la documentation de commande.

9.2 Options pour fluide spécifique

Options pour fluide spécifique		
Agroalimentaire	Fluide de transmission de la pression compatible avec les denrées alimentaires	
Exempt d'huiles et de graisses		
Hydrocarbures résiduels	< 1.000 mg/m ²	
Emballage	Bouchon de protection sur le raccord process	
Oxygène, exempt d'huiles et de graisses		
Hydrocarbures résiduels	Etendues de mesure < 30 bar [< 435 psi]	< 500 mg/m ²
	Etendues de mesure > 30 bar [> 435 psi]	< 200 mg/m ²
Limite de température du fluide	-20 ... +60 °C [-4 ... +140 °F]	
Etendue de mesure maximale	400 bar [5.000 psi]	
Limite de surpression	2 fois	
Taux de fuite	< 1*10 ⁻⁶ mbar*/l/s	
Fluide de transmission de pression	≤ 25 bar [≤ 300 psi]	Fluide de transmission de pression inerte
Influence de la position de montage (étendues de mesure ≤ 1 bar)	Position d'installation 180°, verticale, raccord process placé en haut	≤ 1,4 mbar [≤ 0,02 psi]
	Position d'installation 90°, horizontale, raccord process latéral	≤ 0,8 mbar [≤ 0,012 psi]

FR

14043170.09 04/2026 EN/DE/FR/ES PUBLIC

9. Spécifications

Options pour fluide spécifique

Emballage	Bouchon de protection sur le raccord process
-----------	--

Hydrogène, exempt d'huiles et de graisses

Etendues de mesure	0,4 ... 1.000 bar [10 ... 15.000 psi]
--------------------	---------------------------------------

Matériau (en contact avec le fluide)	316L et Elgiloy® (2.4711)
--------------------------------------	---------------------------

Hydrocarbures résiduels	< 1.000 mg/m ²
-------------------------	---------------------------

Taux de fuite	< 1*10 ⁻⁶ mbar*l/s
---------------	-------------------------------

Limite de température du fluide	-40 ... +125 °C [-40 ... +257 °F]
---------------------------------	-----------------------------------

→ Pour plus d'informations, consulter la fiche technique IN 00.40 sur le site web.

Eau (stabilité accrue)

Etendues de mesure	10 ... 25 bar [150 ... 300 psi]
--------------------	---------------------------------

Cellule de mesure sèche

Etendues de mesure	10 ... 25 bar [150 ... 300 psi]
--------------------	---------------------------------

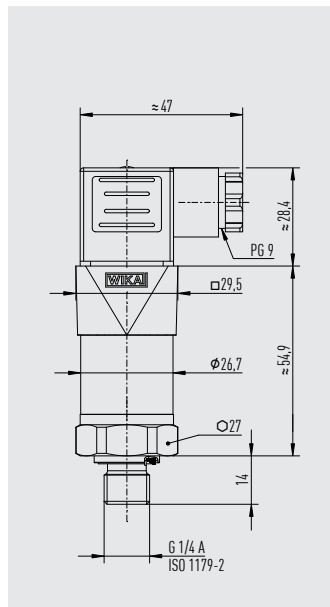
Limite de surpression	2 fois
-----------------------	--------

FR

9. Spécifications

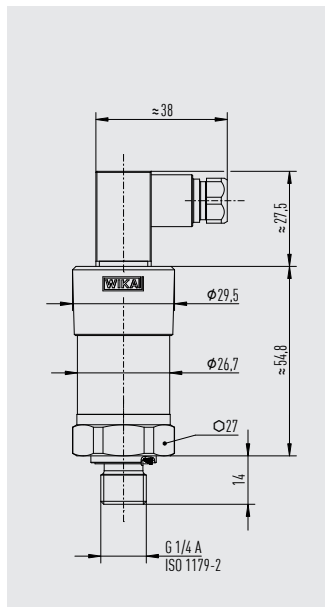
9.3 Dimensions en mm

Connecteur coudé DIN EN 175301-803 A



Poids : environ 150 g [0,331 lb]

Connecteur coudé DIN EN 175301-803 C

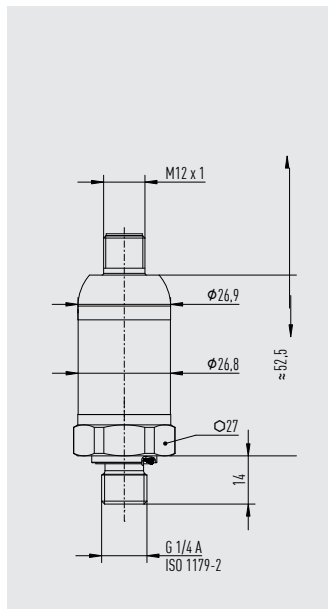


Poids : environ 150 g [0,331 lb]

FR

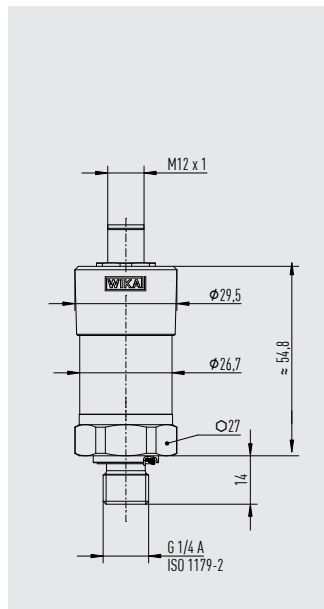
9. Spécifications

Connecteur circulaire M12 x 1 (4 plots, métal)



Poids : environ 150 g [0,331 lb]

Connecteur circulaire M12 x 1 (4 plots)

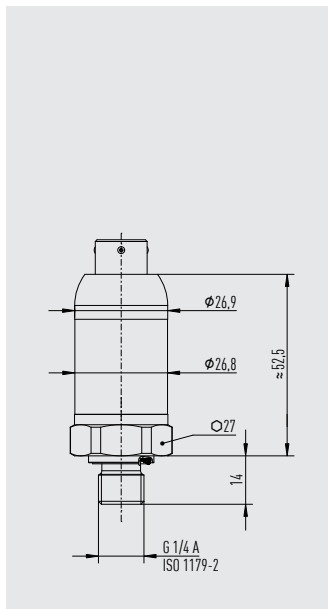


Poids : environ 150 g [0,331 lb]

FR

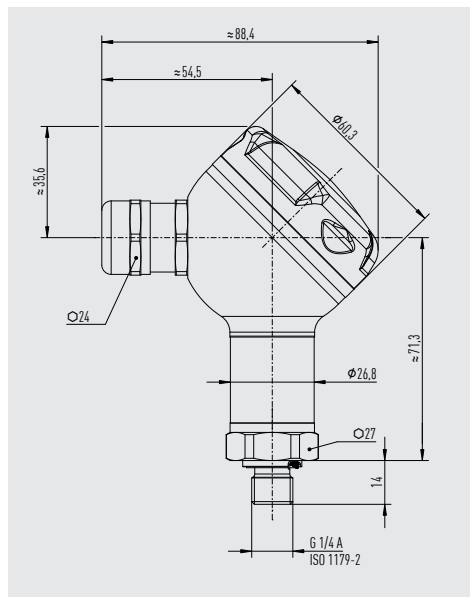
9. Spécifications

Connecteur à baïonnette (6 plots)



Poids : environ 150 g [0,331 lb]

Boîtier de terrain

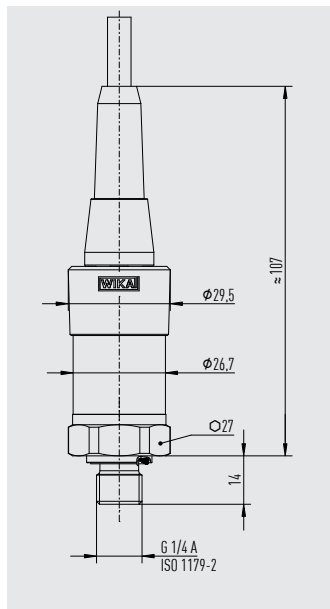


Poids : environ 290 g [0,639 lb]

FR

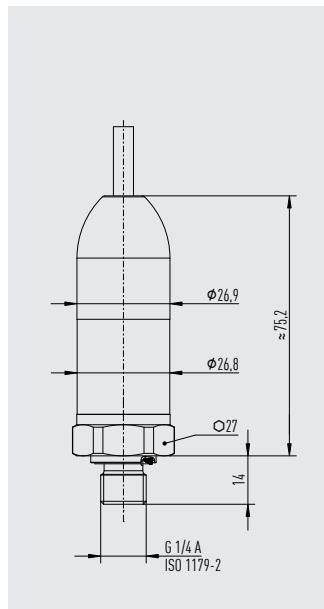
9. Spécifications

Sortie câble IP67



Poids : environ 150 g [0,331 lb]

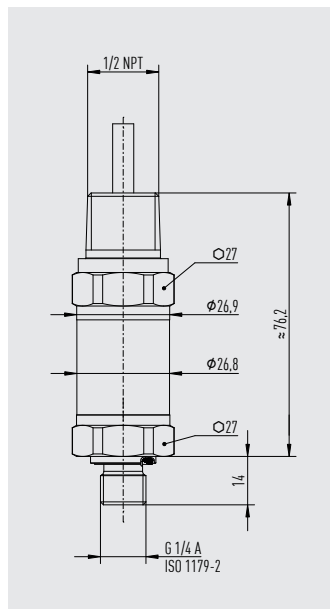
Sortie câble IP68, FEP, IP6K9K



Poids : environ 220 g [0,485 lb]

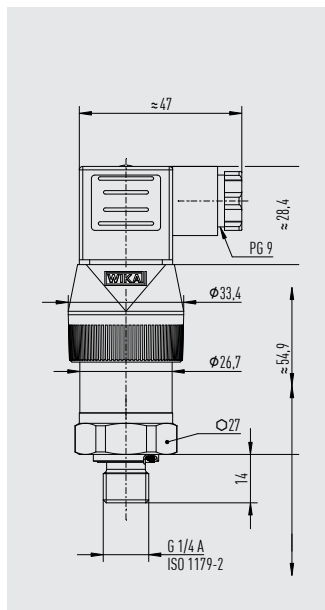
9. Spécifications

Conduit de sortie câble 1/2 NPT



Poids : environ 220 g [0,485 lb]

Connecteur coudé DIN EN 175301-803 A avec bague de réglage du point zéro

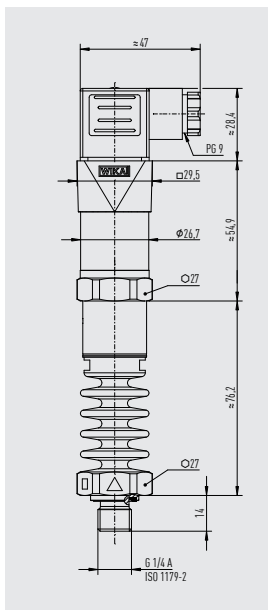


Poids : environ 170 g [0,375 lb]

FR

9. Spécifications

Connecteur coudé DIN EN 175301-803 A avec élément de refroidissement



Poids : environ 360 g [0,794 lb]

Contenido

1. Información general	88
2. Seguridad	89
3. Transporte, embalaje y almacenamiento	93
4. Diseño	94
5. Puesta en servicio y funcionamiento	95
6. Errores	99
7. Mantenimiento y limpieza	100
8. Desmontaje, devolución y eliminación de residuos	101
9. Datos técnicos	102

ES

Las declaraciones de conformidad se pueden encontrar en www.wika.de

1. Información general

1. Información general

- El instrumento descrito en el manual de instrucciones ha sido diseñado y fabricado con la tecnología más avanzada. Todos los componentes están sometidos durante su fabricación a estrictos criterios de calidad y medioambientales. Nuestros sistemas de gestión están certificados según ISO 9001 e ISO 14001.
- Este manual de instrucciones proporciona indicaciones importantes acerca del manejo del instrumento. Para un trabajo seguro, es imprescindible cumplir con todas las instrucciones de seguridad y manejo indicadas.
- Las modificaciones no autorizadas del producto invalidan la garantía y provocan la pérdida de servicios.
- Cumplir siempre con las normativas sobre la prevención de accidentes y las normas de seguridad en vigor en el lugar de utilización del instrumento.
- El manual de instrucciones es una parte integrante del instrumento y debe guardarse en la proximidad del mismo para que el personal especializado pueda consultarlo en cualquier momento. Entregar el manual de instrucciones al usuario o propietario siguiente del instrumento.
- El personal especializado debe haber leído y entendido el manual de instrucciones antes de comenzar cualquier trabajo.
- En este documento se utiliza el masculino genérico para una mejor legibilidad. Se incluye explícitamente la identidad femenina y otras identidades de género.
- Si está disponible, la documentación suministrada por el proveedor también se considera parte del producto, además de estas instrucciones de uso.
- Se aplican las condiciones generales de venta incluidas en la documentación de venta.
- Sujeto a modificaciones técnicas.
- Para obtener más información consultar:

Página web:	www.wika.es / www.wika.com
Hoja técnica correspondiente:	PE 81.61
Información técnica:	IN 00.14, IN 00.50, IN 00.40
Contacto:	Tel: +49 9372 132-0 info@wika.de

2. Seguridad

1.1 Explicación de símbolos



ADVERTENCIA

... señala una situación probablemente peligrosa que puede causar la muerte o lesiones graves si no se evita.



CUIDADO

... señala una situación probablemente peligrosa que puede causar lesiones leves o medianas o daños materiales y del medio ambiente si no se evita.



NOTA

... señala una situación probablemente peligrosa que puede causar daños materiales y al medio ambiente si no se evita.



PELIGRO

... destaca consejos y recomendaciones útiles así como informaciones para una utilización eficiente y libre de errores.

ES

2. Seguridad

2.1 Uso conforme a lo previsto

El modelo S-20 es un transmisor de presión (en adelante, instrumento) que se utiliza para medir la presión en aplicaciones industriales exigentes.

El instrumento ha sido diseñado para la medición de la presión de fluidos del grupo 2 (no peligrosos), en conformidad con el artículo 13 de la Directiva 2014/68/UE y el Reglamento (CE) n.º 1272/2008.

Se han desarrollado versiones para estaciones de suministro y distribución de oxígeno con opciones "libres de oxígeno, aceite y grasa" para la medición de la presión de fluidos del grupo 1 (peligrosos), en conformidad con el artículo 13 de la Directiva 2014/68/UE y el Reglamento (CE) n.º 1272/2008.

2. Seguridad

Se han desarrollado versiones aptas para hidrógeno destinadas a la medición de la presión de fluidos del grupo 1 (peligrosos), en conformidad con el artículo 13 de la Directiva 2014/68/UE y el Reglamento (CE) n.º 1272/2008.

Las versiones destinadas a la medición de la presión de fluidos del grupo 1 (peligrosos), en conformidad con el artículo 13 de la Directiva 2014/68/UE y el Reglamento (CE) n.º 1272/2008, se han codificado con el requisito de estanqueidad reforzado "ratio de fuga de 1×10^{-6} mbar^l/s"; ver la confirmación del pedido o el albarán de entrega.

El instrumento solo se puede usar en aplicaciones que se encuentren dentro de sus límites de rendimiento técnico, en particular con respecto a su límite de resistencia del material, límites de tasa de fuga y límites de presión y temperatura permisibles.

Es responsabilidad exclusiva del fabricante o de la empresa operadora de una máquina o equipo garantizar la idoneidad del instrumento y su resistencia a los medios en la aplicación a través de la elección adecuada de los materiales y los ciclos de mantenimiento.

Es responsabilidad exclusiva del fabricante o del usuario de la máquina o planta garantizar una conexión de presión segura y a prueba de fugas.

- Para límites de rendimiento véase el capítulo ▶ 9 [Datos técnicos](#).
- Para los límites de rendimiento de las conexiones a proceso, véase IN 00.14.
- Para los límites de rendimiento de las conexiones eléctricas, véase IN 00.50.
- Para los límites de rendimiento para hidrógeno, véase IN 00.40.

El montaje, desmontaje, instalación, parametrización y mantenimiento del instrumento en un entorno industrial requiere de personal calificado según el capítulo ▶ 2.4 [Cualificación del personal](#).

El instrumento cumple la directiva CEM según la norma EN 61326 para las emisiones (grupo 1, clase B) y resistencia a interferencias (ambiente industrial).

El instrumento ha sido diseñado y construido únicamente para la finalidad aquí descrita y debe utilizarse en conformidad a la misma.

No se admite ninguna reclamación debido a un manejo no adecuado.

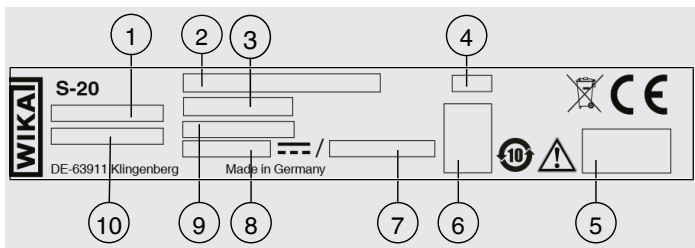
2.2 Uso incorrecto

- Cualquier uso que no sea el previsto para este instrumento es considerado como uso incorrecto.
- Abstenerse de realizar modificaciones no autorizadas del dispositivo.
- No utilizar en zonas potencialmente explosivas.
- No utilizar en dispositivos de desconexión de seguridad o emergencia.

2. Seguridad

- No utilizar en procesos con alta condensación.
- No utilizar este instrumento en vehículos ferroviarios.
- No utilizar este instrumento con medios abrasivos y viscosos.
- No utilizar con medios químicamente o físicamente inestables.
- No utilizar con productos sanitarios.
- No utilizar en tecnologías de refrigeración.

2.3 Rótulos / marcajes de seguridad



- | | | | |
|---|---------------------------------|----|-----------------------------|
| 1 | Código | 6 | Detalles del conexionado |
| 2 | Texto adicional | 7 | Consumo de corriente |
| 3 | Rango de medición | 8 | Alimentación auxiliar |
| 4 | Fecha de fabricación codificada | 9 | Señal de salida |
| 5 | Homologaciones | 10 | Número de serie inteligente |

ES

2. Seguridad

Símbolos



Es absolutamente necesario leer el manual de instrucciones antes del montaje y la puesta en servicio del instrumento.



CC Corriente continua



No eliminar en las basuras domésticas. Garantizar una eliminación correcta según las normativas nacionales.

ES

2.4 Cualificación del personal



PELIGRO

Las actividades descritas en este manual de instrucciones deben realizarse únicamente por personal especializado con la consiguiente cualificación.

Personal especializado

Debido a su formación profesional, a sus conocimientos de la técnica de regulación y medición así como a su experiencia y su conocimiento de las normativas, normas y directivas vigentes en el país de utilización el personal especializado autorizado por el usuario es capaz de ejecutar los trabajos descritos y reconocer posibles peligros por sí solo.

3. Transporte, embalaje y almacenamiento

3. Transporte, embalaje y almacenamiento

3.1 Transporte



NOTA

Daños debidos a un transporte inadecuado

En caso de transporte inadecuado pueden producirse daños materiales.

- ▶ Al descargar mercancías embaladas a la entrega, así como durante el transporte interno, proceder con cuidado y observar los símbolos en el embalaje.
- ▶ Observar las instrucciones en el capítulo ▶ 3.2 [Embalaje y almacenamiento](#) en el transporte dentro de la compañía.

Comprobar si el instrumento presenta algún daño.

En caso de daños, no ponga en servicio el instrumento y póngase inmediatamente en contacto con el fabricante.

3.2 Embalaje y almacenamiento

Condiciones admisibles en el lugar de almacenamiento:

- Temperatura de almacenamiento: -40 ... +70 °C [-40 ... +158 °F]

ES

4. Diseño

4. Diseño

4.1 Resumen



- 1 Conexión eléctrica
- 2 Anillo de tapón sin anillo de regulación del punto cero (según la versión)
- 3 Caja, placa de identificación
- 4 Llave plana
- 5 Rosca

4.2 Alcance del suministro

- Instrumento
- Manual de instrucciones
- Certificados solicitados

5. Puesta en servicio y funcionamiento

- Protocolo de ensayo
- Accesorios solicitados

Comparar mediante el albarán si se han entregado todas las piezas.

5. Puesta en servicio y funcionamiento



CUIDADO

Daños materiales causados por exceder los límites de potencia

Si se superan los límites de potencia, se puede destruir el dispositivo y provocar riesgos en la aplicación final.

- ▶ No se permite la operación permanente en el rango de sobrecarga.
- ▶ No superar en ningún momento el límite de sobrepresión.

ES

Al manipular fluidos, líquidos y gases peligrosos



ADVERTENCIA

Atmósfera potencialmente explosiva debida a fugas de medios

Las fugas de medios pueden provocar la formación de una atmósfera inflamable o explosiva.

Una atmósfera potencialmente explosiva puede provocar lesiones físicas o daños materiales.

- ▶ Se debe asegurar que se usen únicamente juntas aptas para su uso con hidrógeno.
- ▶ Cumplir todas las normas y reglamentos específicos de la aplicación que sean de aplicación a la instalación y el funcionamiento en la aplicación de uso final.

5.1 Montaje mecánico

Es responsabilidad exclusiva del fabricante o del usuario de la máquina o planta garantizar una conexión de presión segura y a prueba de fugas.

5. Puesta en servicio y funcionamiento

- Utilizar el dispositivo sólo si encuentra en condiciones de funcionamiento absolutamente seguras.
- Inspeccionar visualmente el instrumento antes de utilizarlo.
- Un escape de líquido es un indicador de daños.
- Notificar daños obvios de forma inmediata.
- Durante el montaje asegurar de que la membrana no sufra daños.

→ Para más información sobre las conexiones a proceso, véase la información técnica IN 00.14.

Para roscar el instrumento, la fuerza no debe aplicarse sobre la caja o el anillo de tapón, sino únicamente sobre las superficies claves previstas para este fin, utilizando herramientas adecuadas, véase ▶ 4.1 [Resumen](#). Si se monta el instrumento cabeza abajo debe asegurarse de que no se pueda acumular agua en la conexión eléctrica ni en el anillo de tapón. El agua puede obturar la membrana de compensación de presión.

5.2 Montaje eléctrico

Alimentación de corriente

- Para alimentación auxiliar véase la placa de identificación
- Para más detalles sobre el montaje eléctrico, véase IN 00.50

Este instrumento debe utilizarse con bajas tensiones aisladas de la tensión de red de AC 230 V (50 Hz) o de tensiones superiores a AC 50 V y DC 120 V para ambientes secos. Debe optarse preferiblemente por una conexión a circuitos eléctricos SELV; como alternativa se recomienda una medida de protección según la norma de instalación IEC 60364-4-41.

Para los instrumentos con certificación norteamericana según UL/CSA IEC 61010-1:

Para la alimentación del instrumento, utilizar un circuito eléctrico con límite de energía según el párrafo 9.4 de UL/IEC/EN 61010-1 o el LPS según UL/IEC/EN 62368-1 o el Clase 2 según UL1310/UL1585 (NEC o CEC). Si el instrumento debe utilizarse en aplicaciones a alturas superiores a 2.000 metros, la alimentación de corriente debe ser adecuada para ello.

Blindaje y puesta a tierra

Poner a tierra el instrumento a través de la conexión a proceso.

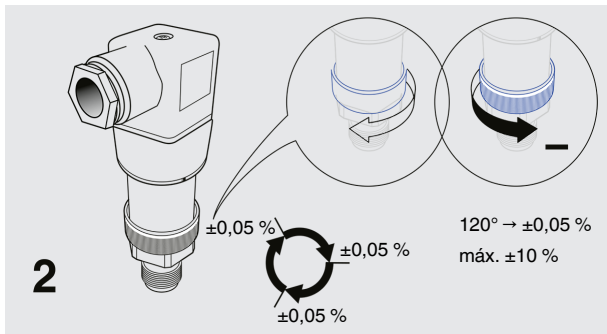
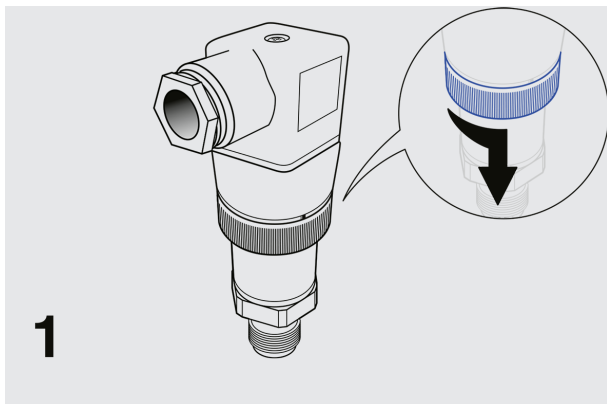
Detalles del conexionado

- Asignación de conexiones véase placa de identificación

5. Puesta en servicio y funcionamiento

5.3 Ajuste del punto cero

Con versiones con anillo de regulación del punto cero, el punto cero se puede ajustar durante el funcionamiento.

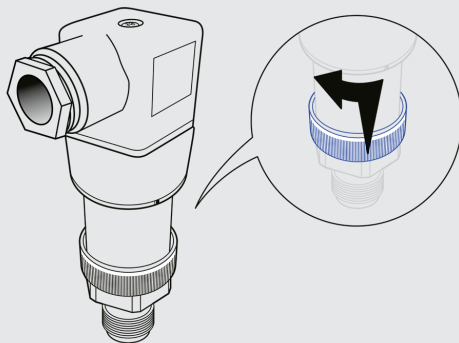


ES

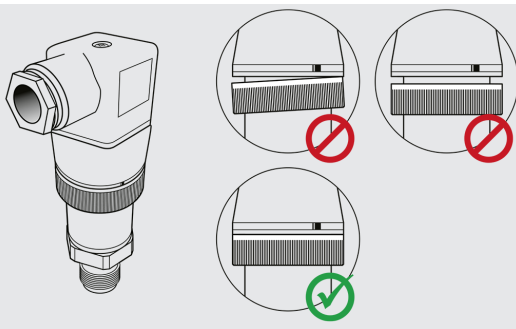
5. Puesta en servicio y funcionamiento

ES

3



4



6. Errores

6. Errores



PELIGRO

Si no se pueden solucionar los defectos mencionados se debe poner el dispositivo inmediatamente fuera de servicio.

- ▶ Contactar el fabricante
- ▶ En caso de devolución, observar las indicaciones del capítulo ▶ 8.2 [Devolución](#).



PELIGRO

Datos de contacto ver capítulo ▶ 1 [Información general](#) o parte posterior del manual de instrucciones.



PELIGRO

No es necesario tomar ninguna medida si las piezas de plástico (por ejemplo, la conexión eléctrica) se decoloran. La decoloración es inofensiva.

En caso de averías, comprobar en primer lugar la conexión mecánica y eléctrica del instrumento.

Errores	Causas	Medida
Ninguna señal de salida	Rotura de cable	Comprobar el paso
Ninguna señal de salida	Alimentación auxiliar ausente/errónea	Corregir la fuente de alimentación auxiliar
Señal del punto cero incorrecta/no está presente	Error de cableado	Corregir el cableado
Span de señal cae/insuficiente	Sobrecarga mecánica por sobrepresión	Sustituir el instrumento, consultar al fabricante si falla repetidas veces
Span de señal cae/insuficiente	Limpiar la junta/superficie dañada o sucia, la junta no asienta correctamente, vueltas de rosca torcidas	Limpiar la junta/superficie de sellado; reemplazar la junta en caso necesario

ES

7. Mantenimiento y limpieza

Errores	Causas	Medida
Span de señal cae / insuficiente u oscilante/impreciso	Fuentes de interferencias CEM en el entorno, p. ej. convertidor de frecuencia	Blindar el instrumento; blindaje del cable; quitar la fuente de interferencias
Span de señal oscilante / impreciso	Temperatura de trabajo demasiado alta/baja	Disminuir/aumentar la temperatura
Span de señal oscilante / impreciso	Instrumento no conectado a tierra	Conectar a tierra el instrumento
Span de señal oscilante / impreciso	Presión del medio fuertemente ciclante	Amortiguación, contactar el fabricante
Desviación de señal de punto cero	Temperatura de trabajo demasiado alta/baja	Observar las temperaturas admisibles
Desviación de señal de punto cero	Límite de sobrepresión excedido	Observar el límite de presión de sobrecarga permitido
La señal de salida no cambia cuando cambia la presión	Sobrecarga mecánica por sobrepresión	Sustituir el instrumento, consultar al fabricante si falla repetidas veces

7. Mantenimiento y limpieza

7.1 Mantenimiento

Este instrumento no requiere mantenimiento.

Todas las reparaciones solamente las debe efectuar el fabricante.

7.2 Limpieza

Utilice únicamente productos de limpieza comerciales y sin disolventes.

8. Desmontaje, devolución y eliminación de residuos

8. Desmontaje, devolución y eliminación de residuos



ADVERTENCIA

Lesiones corporales por medios peligrosos

En caso de contacto con medios peligrosos (por ejemplo, oxígeno, acetileno) y nocivos (por ejemplo, corrosivos, inflamables, tóxicos, cancerígenos, radiactivos), existe riesgo de lesiones físicas. En caso de avería, pueden llegar a estar presentes en el instrumento medios peligrosos a alta presión o en vacío.

- ▶ En el tratamiento de estos medios se deben observar las normativas específicas además de las normativas generales.

Al manipular fluidos, líquidos y gases peligrosos



ADVERTENCIA

Atmósfera potencialmente explosiva debida a fugas de medios

Las fugas de medios pueden provocar la formación de una atmósfera inflamable o explosiva.

Una atmósfera potencialmente explosiva puede provocar lesiones físicas o daños materiales.

- ▶ Se debe asegurar que se usen únicamente juntas aptas para su uso con hidrógeno.
- ▶ Cumplir todas las normas y reglamentos específicos de la aplicación que sean de aplicación a la instalación y el funcionamiento en la aplicación de uso final.

8.1 Desmontaje

Desmontar el instrumento solo cuando haya sido despresurizado y desenergizado.

8.2 Devolución

Es imprescindible observar lo siguiente para el envío del instrumento:

- Todos los instrumentos enviados a WIKA deben estar libres de sustancias peligrosas (ácidos, lejías, soluciones, etc.) y, por lo tanto, deben limpiarse antes de devolverlos, véase el capítulo ▶ 7.2 [Limpieza](#).
- Utilizar el embalaje original o un embalaje adecuado para la devolución del instrumento.

ES

9. Datos técnicos



PELIGRO

Comentarios sobre el procedimiento de las devoluciones se encuentra en el apartado “Servicio” en nuestra página web local (solicitud de devolución).

8.3 Eliminación de residuos

Una eliminación incorrecta puede provocar peligros para el medio ambiente. Eliminar los componentes de los instrumentos y los materiales de embalaje de forma respetuosa con el medio ambiente y conforme a los reglamentos relativos al tratamiento de residuos y eliminación vigentes en el país de utilización.

Eliminación de equipos eléctricos



Este instrumento está etiquetado de acuerdo con la directiva de la UE sobre residuos de equipos eléctricos y electrónicos (RAEE). Este instrumento no debe desecharse junto con la basura doméstica.

- Entregar los instrumentos viejos para su eliminación respetuosa con el medio ambiente en un punto de recogida designado para la eliminación de equipos eléctricos y electrónicos.
- Garantizar una eliminación adecuada de acuerdo con la normativa nacional y respetar la normativa vigente.

9. Datos técnicos

9.1 Datos técnicos

Dependiendo de la versión del instrumento seleccionada (por ejemplo, las juntas), los datos técnicos pueden diferir de los datos técnicos enumerados aquí. Los datos técnicos en la documentación de pedido son definitivas.

Para las versiones diseñadas para medios especiales, véase la tabla ▶ [9.2 Opciones para medios especiales](#).

Datos técnicos

Rango de medición

→ Véase la placa de identificación

9. Datos técnicos

Datos técnicos

Presión máxima de trabajo	<p>→ Corresponde al valor superior del rango de medición / valor final del rango de medición</p> <p>→ No se permite ningún funcionamiento permanente por encima de la presión máxima de trabajo</p>	
Límite de presión de sobrecarga	<p>El límite de sobrepresión está basado en el rango de medición. Dependiendo de la conexión a proceso escogida y de la junta, pueden producirse restricciones en el límite de sobrepresión. Un límite de sobrecarga de presión superior tiene como consecuencia un mayor error de temperatura.</p> <p>→ Para el límite de sobrepresión de la conexión a proceso correspondiente, véase IN 00.14.</p>	
bar	Rangos de medición ≤ 16 bar	3 veces
	Rangos de medición > 16 bar	2 veces
	Rango de medición 1.000 bar	1,45 veces
	Rangos de medición > 1.000 bar	1,25 veces
bar abs.	Rangos de medición ≤ 16 bar abs.	3 veces
	Rangos de medición > 16 bar abs.	2 veces
	Rango de medición 40 bar abs.	1,5 veces
psi	Rangos de medición ≤ 300 psi	3 veces
	Rangos de medición > 300 psi	2 veces
	Rangos de medición 600 psi, 1.000 psi, 1.500 psi, 4.000 psi, 6.000 psi, 10.000 psi	1,7 veces
	Rango de medición 15.000 psi	1,45 veces
	Rangos de medición > 15.000 psi	1,25 veces
psi abs.	Rangos de medición ≤ 300 psi abs.	3 veces
	Rangos de medición > 300 psi abs.	2 veces
	Rango de medición 500 psi abs.	1,5 veces
	→ Más límites de presión de sobrepresión a petición	

ES

9. Datos técnicos

Datos técnicos

Error máximo de medición según IEC 61298-2

No linealidad $\leq \pm 0,5$ % del span	$\leq \pm 1$ % del span
No linealidad $\leq \pm 0,25$ % del span	$\leq \pm 0,5$ % del span
No linealidad $\leq \pm 0,125$ % del span	$\leq \pm 0,25$ % del span
Ratio de fuga	<ul style="list-style-type: none"> ■ $< 5 \cdot 10^{-3}$ mbar^l/s ■ $< 1 \cdot 10^{-6}$ mbar^l/s ^{1) 2)}
Señal de salida	→ Véase la placa de identificación
Alimentación auxiliar	→ Véase la placa de identificación
Consumo de corriente	→ Véase la placa de identificación
Detalles del conexionado	→ Véase la placa de identificación
Resistencia contra cortocircuitos	S+ vs. U- → No para señales de salida ratiométricas
Protección contra polaridad inversa	U+ vs. U- → No para señales de salida ratiométricas

Material (en contacto con el medio)

Sensor y conexión a proceso	Rangos de medición ≤ 25 bar [≤ 300 psi]	Acero inoxidable 316L
	Rangos de medición > 25 bar [> 300 psi]	Acero inoxidable 316L + acero PH
	Rangos de medición > 1.000 bar [> 15.000 psi]	Acero ASTM 630 + PH
	Rangos de medición de presión absoluta	Acero inoxidable 316L

1) Con aplicaciones con oxígeno e hidrógeno.

2) En aplicaciones con fluidos, líquidos y gases peligrosos, en conformidad con el artículo 13 de la Directiva 2014/68/UE, el Reglamento (CE) n.º 1272/2008 o el GHS (SGA).

9. Datos técnicos

Datos técnicos

Sensor y conexión a proceso	→ Juntas para cada conexión a proceso, véase la hoja técnica o IN 00.14 información sobre conexiones a proceso.
Límite de temperatura de almacenamiento	-40 ... +70 °C [-40 ... +158 °F]
Humedad según EN 60068-2-30	0 ... 95 % de humedad relativa (sin condensación)
Humedad según certificado CSA	0 ... 80 % de humedad relativa (sin condensación)
Altitud de funcionamiento	≤ 2.000 m sobre el nivel del mar
Grado de contaminación	2
Categoría de sobretensión	I
Protección IP según IEC 60529	→ Véase IN 00.50 conexiones eléctricas
Duración	
Rangos de medición < 600 bar [< 7.500 psi]	100 millones de ciclos de carga
Rangos de medición ≥ 600 bar [≥ 7.500 psi]	10 millones de ciclos de carga

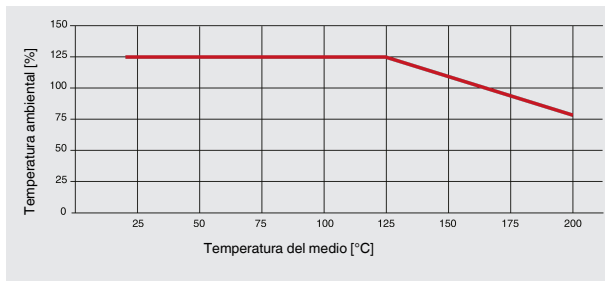
ES

Límite de temperatura media	Límite de temperatura ambiente	Notas
-30 ... +100 °C [-22 ... +212 °F]	-30 ... +100 °C [-22 ... +212 °F]	-
-40 ... +125 °C [-40 ... +257 °F]	-40 ... +125 °C [-40 ... +257 °F]	▶ 9.2 Versión para hidrógeno
-40 ... +150 °C [-40 ... +302 °F]	-40 ... +125 °C [-40 ... +257 °F] → Véase curva de reducción	400 bar [5.000 psi] Con elemento de refrigeración integrado
-40 ... +200 °C [-40 ... +392 °F]	-40 ... +125 °C [-40 ... +257 °F] → Véase curva de reducción	400 bar [5.000 psi] Con elemento de refrigeración integrado
-20 ... +60 °C [-4 ... +140 °F]	-20 ... +60 °C [-4 ... +140 °F]	▶ 9.2 Versión para oxígeno

14043170.09 04/2026 EN/DE/FR/ES PUBLIC

9. Datos técnicos

Curva de reducción de potencia de los elementos de refrigeración



Temperatura ambiente máxima admisible (T_{amb})

$$T_{amb} (T_{med} < 125 \text{ °C}) = 125 \text{ °C}$$

$$T_{amb} (T_{med} \geq 125 \text{ °C}) = -0,62 \times T_{med} + 202 \text{ °C}$$

Temperatura máxima admisible del medio (T_{med})

$$T_{med} (T_{amb} < 80 \text{ °C}) = 200 \text{ °C}$$

$$T_{med} (T_{amb} \geq 80 \text{ °C}) = -1,61 \times T_{amb} + 326 \text{ °C}$$

Dependiendo de la elección de la junta en la conexión a proceso y la conexión eléctrica, puede haber restricciones en la temperatura del medio y del ambiente.

→ Para más datos técnicos, consulta la hoja técnica PE 81.61 o IN 00.14, IN 00.40 e IN 00.50 y la documentación de pedido.

9.2 Opciones para medios especiales

Opciones para medios especiales

Alimentación Medio de transmisión de presión compatible con alimentos

Libre de aceite y grasa

Hidrocarburo residual < 1.000 mg/m²

Embalaje Tapón protector en la conexión a proceso

Libre de oxígeno, aceite y grasa

9. Datos técnicos

Opciones para medios especiales

Hidrocarburo residual	Rangos de medición < 30 bar [< 435 psi]	< 500 mg/m ²
	Rangos de medición > 30 bar [< 435 psi]	< 200 mg/m ²
Límite de temperatura media	-20 ... +60 °C [-4 ... +140 °F]	
Rango de medición máximo	400 bar [5.000 psi]	
Límite de sobrepresión	2 veces	
Ratio de fuga	< 1*10 ⁻⁶ mbar ^l /s	
Medio de transmisión de presión	≤ 25 bar [≤ 300 psi]	Medio de transmisión de presión inerte
Influencia de la posición de montaje (rangos de medición ≤ 1 bar)	Posición de montaje 180°, vertical, conexión a proceso superior	≤ 1,4 mbar [≤ 0,02 psi]
	Posición de montaje 90°, horizontal, conexión a proceso lateral	≤ 0,8 mbar [≤ 0,012 psi]
Embalaje	Tapón protector en la conexión a proceso	

Hidrógeno, sin aceite ni grasa

Rangos de medición	0,4 ... 1000 bar [10 ... 15.000 psi]	
Material (en contacto con el medio)	316L and Elgiloy® (2.4711)	
Hidrocarburo residual	< 1.000 mg/m ²	
Ratio de fuga	< 1*10 ⁻⁶ mbar ^l /s	
Límite de temperatura media	-40 ... +125 °C [-40 ... +257 °F]	
	→ Para más información, consulte la ficha técnica IN 00.40 en el sitio web.	

Agua (mayor estabilidad)

Rangos de medición	10 ... 25 bar [150 ... 300 psi]	
--------------------	---------------------------------	--

Célula de medición seca

Rangos de medición	10 ... 25 bar [150 ... 300 psi]	
Límite de sobrepresión	2 veces	

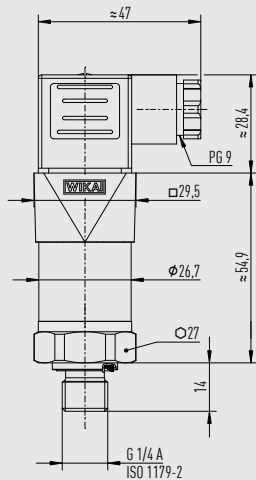
ES

14043170.09 04/2026 EN/DE/FR/ES PUBLIC

9. Datos técnicos

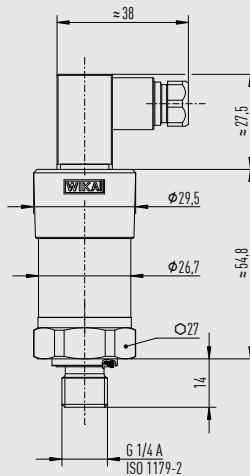
9.3 Dimensiones en mm

Conector angular DIN EN 175301-803 A



Peso: aprox. 150 g [0,331 lb]

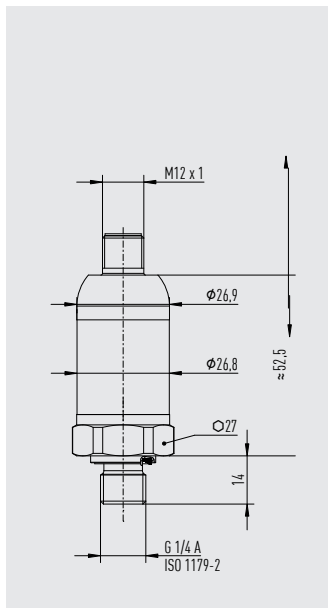
Conector angular DIN EN 175301-803 C



Peso: aprox. 150 g [0,331 lb]

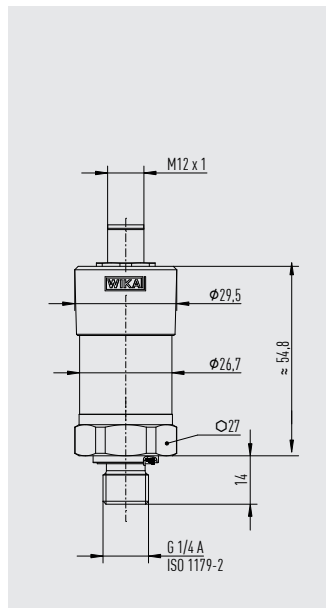
9. Datos técnicos

Conector circular M12 x 1 (4 pines, metálico)



Peso: aprox. 150 g [0,331 lb]

Conector circular, M12 x 1 (4 pines)

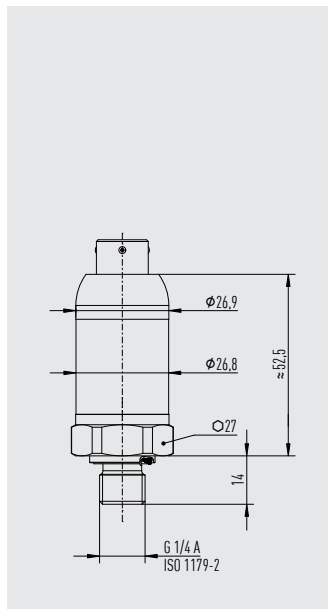


Peso: aprox. 150 g [0,331 lb]

ES

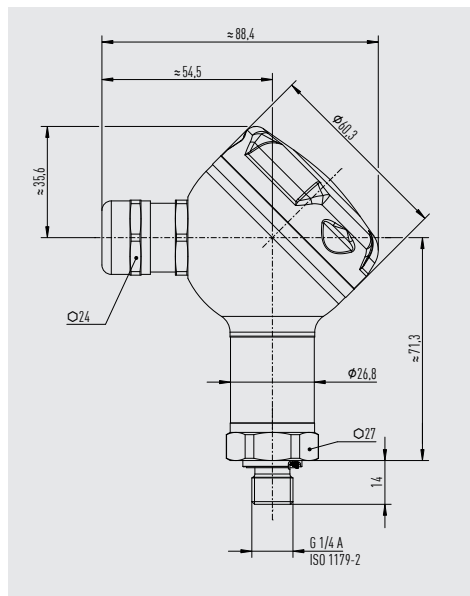
9. Datos técnicos

Conector tipo bayoneta (6-pin):



Peso: aprox. 150 g [0,331 lb]

Caja de campo

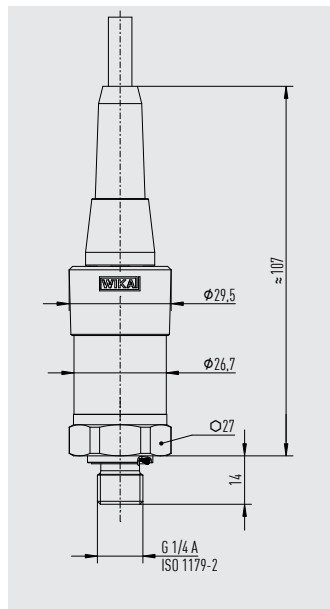


Peso: aprox. 290 g [0,639 lb]

ES

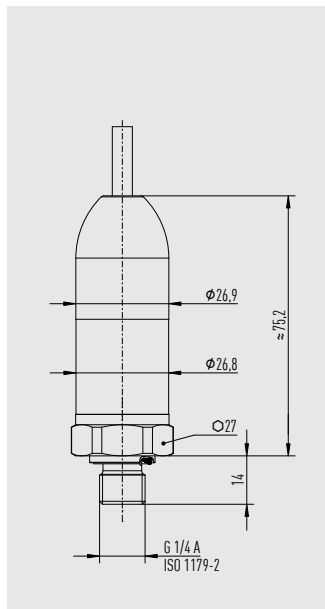
9. Datos técnicos

Salida de cable IP67



Peso: aprox. 150 g [0,331 lb]

Salida de cable IP68, FEP, IP6K9K

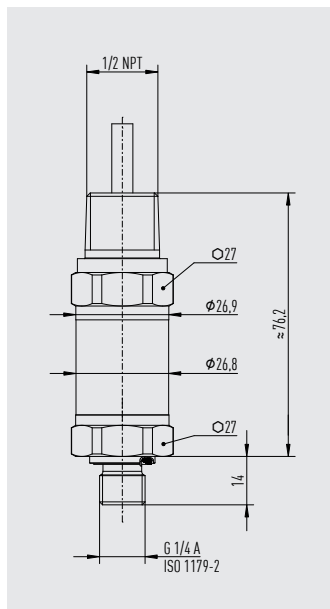


Peso: aprox. 220 g [0,485 lb]

ES

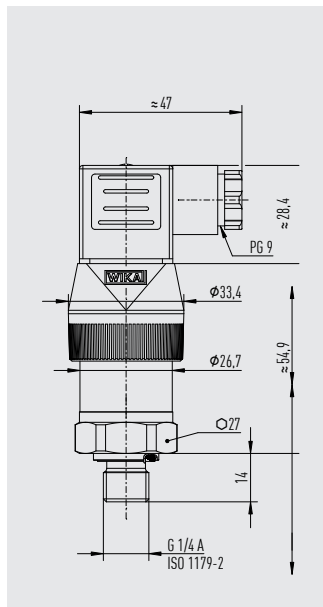
9. Datos técnicos

Salida de cable 1/2 NPT conduit



Peso: aprox. 220 g [0,485 lb]

Conector angular DIN EN 175301-803 A con anillo de ajuste del punto cero

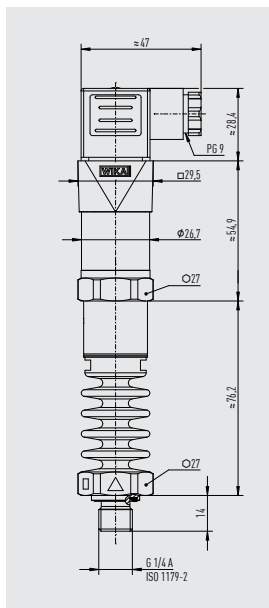


Peso: aprox. 170 g [0,375 lb]

ES

9. Datos técnicos

Conector angular DIN EN 175301-803 A con elemento de refrigeración



Peso: aprox. 360 g [0,794 lb]

ES

14043170.09 04/2026 EN/DE/FR/ES PUBLIC

WIKA subsidiaries worldwide can be found online at www.wika.com.



WIKA Alexander Wiegand SE & Co. KG

Alexander-Wiegand-Strasse 30

63911 Klingenberg • Germany

Tel. +49 9372 132-0

info@wika.de

www.wika.de



Importer for UK

WIKA Instruments Ltd

Unit 6 and 7 Goya Business park

The Moor Road

Sevenoaks

Kent

TN14 5GY